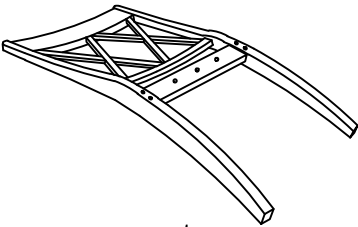


# ASSEMBLY INSTRUCTION

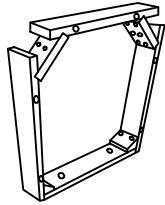
## DOUBLE X-BACK SIDE CHAIR

**A** Chair Back



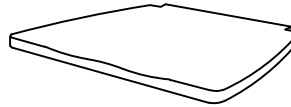
1pc

**B** Box Frame



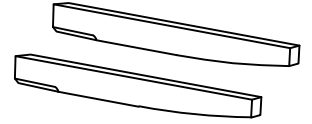
1pc

**C** Wooden Seat



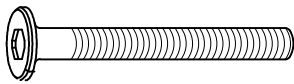
1pc

**D** Front Leg (L & R)



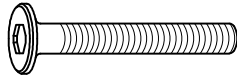
2pcs

**E** Jcbc Bolt M6 x 70mm



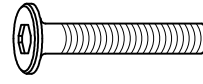
4pcs

**F** Jcbc Bolt M6 x 60mm



4pcs

**G** Jcbc Bolt M6 x 40mm



2pcs

**H** Lock Washer M6



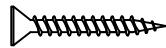
10pcs

**I** Flat Washer M6 x 16mm  
1.2 mm



10pcs

**J** Csk-Cb Screw #8 x 1"

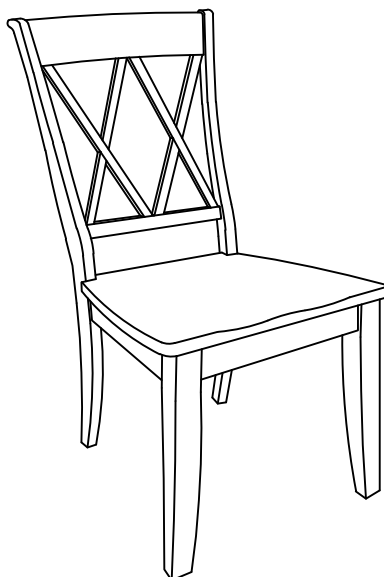


6pcs

**K** Allen Key M4 x 60mm



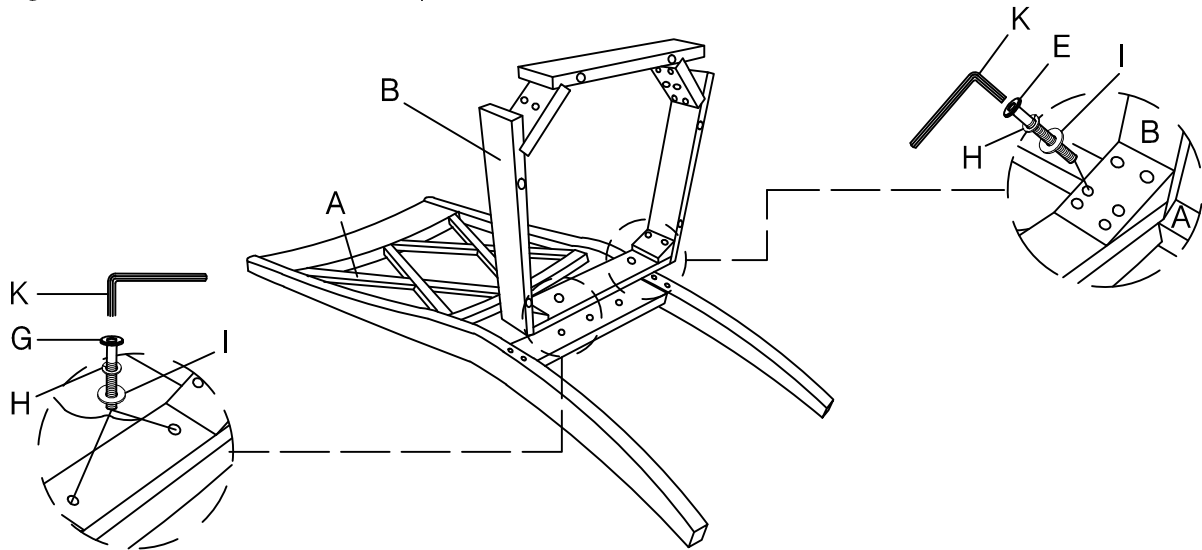
1pc



This page lists all the contents included in the box. Please take the time to identify the hardware as well as the individual components to this product. As you unpack and prepare for assembly, place the contents on a carpeted or padded area to protect them from damage.

**1**

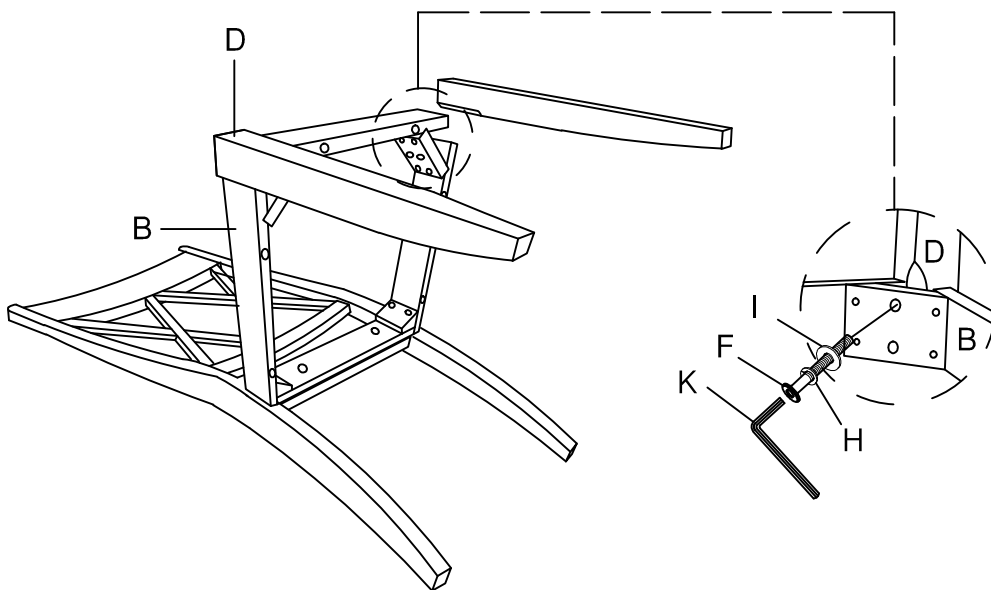
Put the Chair Back (A) Box Frame (B) upside down on the soft and smooth surface. With assistance attach Box Frame (B) onto Chair Back (A). Then insert Jcbc Bolt (E), Lock Washer (H) and Flat Washer (I) into predrilled holes of each corner, by using Allen Key (K). Insert Jcbc Bolt (G), Lock Washer (H) and Flat Washer (I) into the predrilled holes of the middle of Chair Back (A), by using Allen Key (K). Do not fully tighten the bolts in this step.



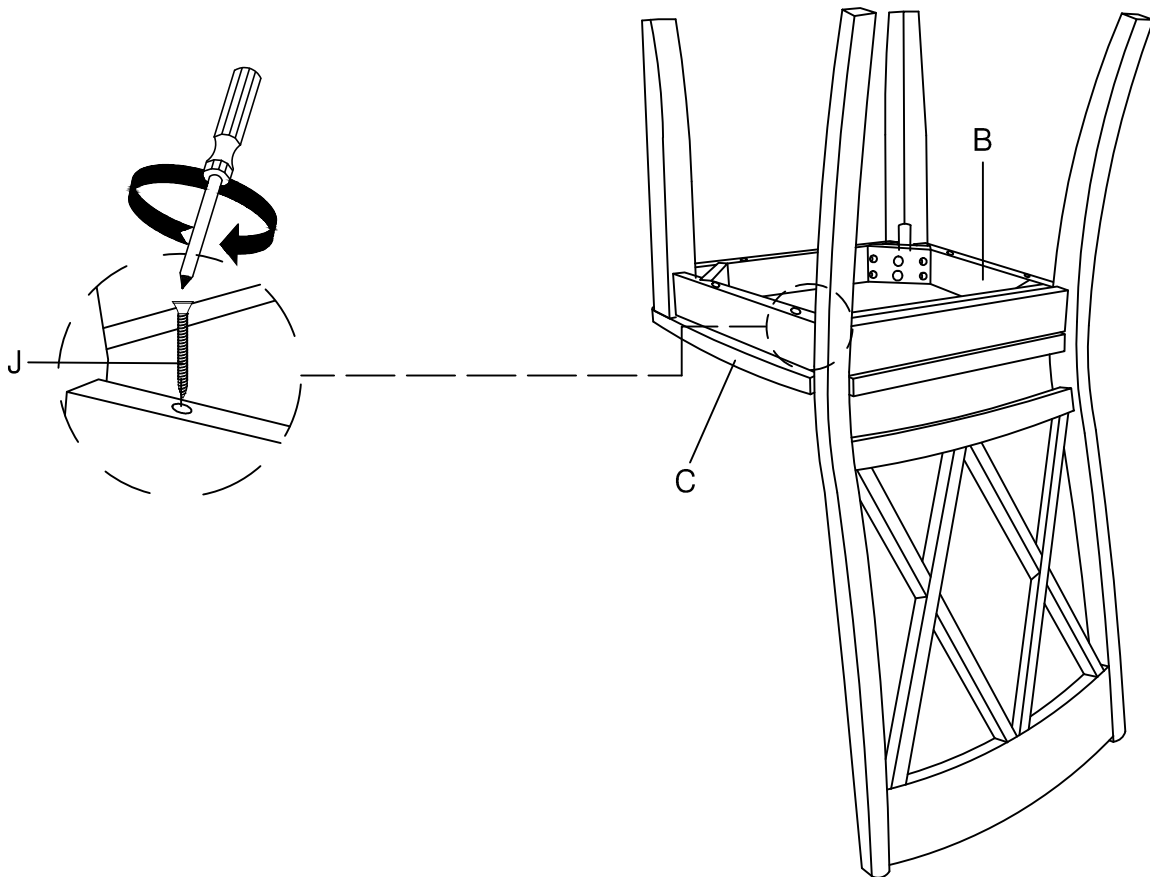
Take the Allen Wrench, and turn the bolts until the legs are secure.  
**DO NOT TIGHTEN COMPLETELY.**  
Stop when you feel you are adding force to tighten the bolt.

**2**

Attach Chair Legs (D) and corner of Box Frame (B), insert Flat Washer (I), Lock Washer (H) and Jcbc Bolt (F) using Allen Key (K).



- 
- 3** Attach Wooden Seat (C) and Box Frame (B) with Csk-Cb Screw (J) by using Screwdriver (not included). Tighten all wood screws in this step.



Stand chair up on an even surface and check that it is balanced. If there is a slight wobble, apply downward pressure in the corner where a leg is uneven. Keeping pressure in that corner, tighten all bolts. If balanced, apply downward pressure evenly in the center and tighten all bolts. Do not over-tighten beyond hole depth.

*Helpful Tip:-* Instead of applying downward pressure while reaching under to tighten bolts, have someone sit in the chair while you tighten the bolts.

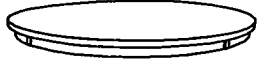

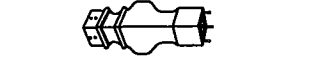










---

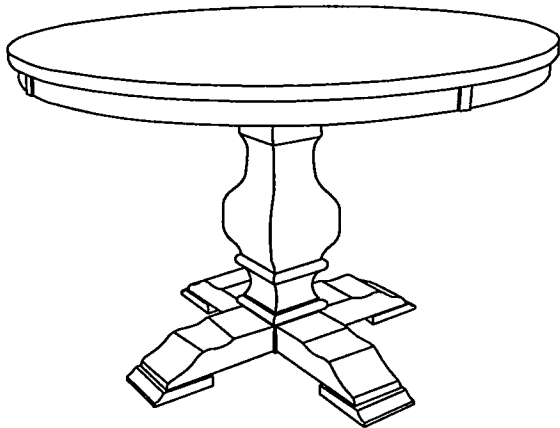
### Cleaning & Care

Treat surface with care. Surface is resistant to scratches but is not scratch resistant. Clean surface with a dry or damp soft cloth. Do not use abrasive cleaners. Hardware may loosen over time. Periodically check that all connections are tight.

# ASSEMBLY INSTRUCTION

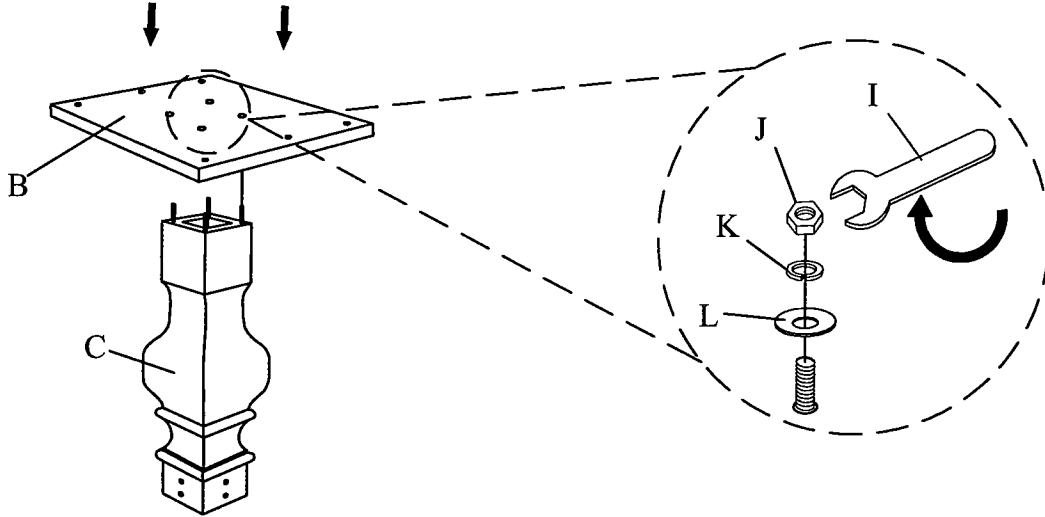
## ROUND DINING TABLE

<b>A</b> TABLE TOP  1 PC	<b>B</b> MOUNTING PLATE  1 PC	<b>C</b> PEDESTAL COLUMN  1 PC	<b>D</b> PEDESTAL LEG  4 PCS
<b>E</b> ALLEN WRENCH  1 PC	<b>F</b> JCBC M6 x 50mm  6 PCS	<b>G</b> SPRING WASHER M6  6 PCS	<b>H</b> FLAT WASHER M6  6 PCS
<b>I</b> WRENCH 13mm  1 PC	<b>J</b> HEX NUT 5/16"  12 PCS	<b>K</b> SPRING WASHER M8  12 PCS	<b>L</b> FLAT WASHER M8  12 PCS
<b>M</b> LEVELER  4 PCS			

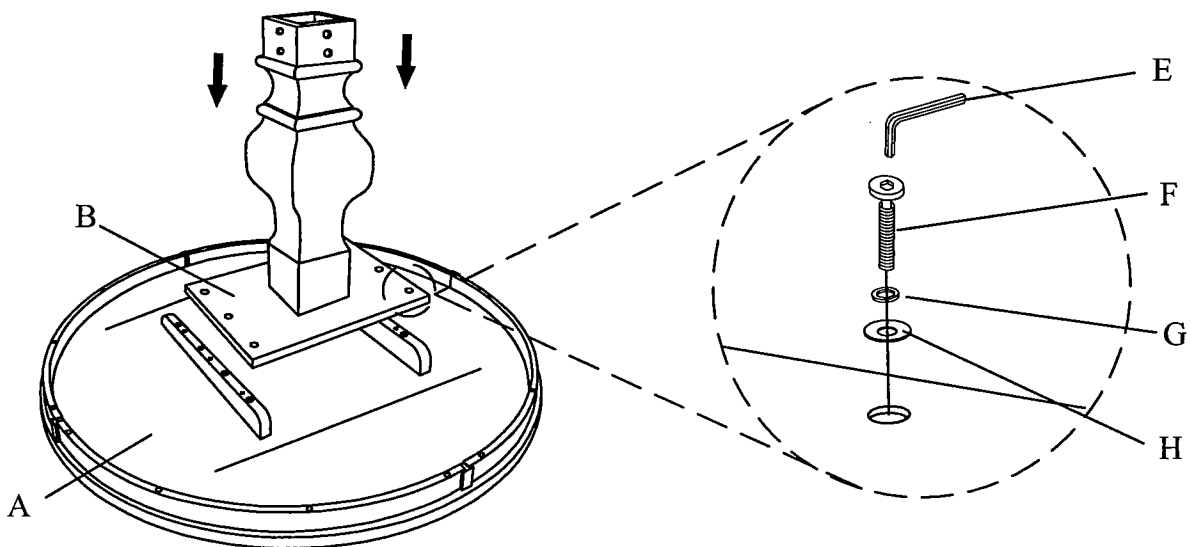


This Page lists all the contents included in the box . Please take the time to identify the hardware as well as the individual components to this product . As you unpack and prepare for assembly , place the contents on a carpeted or padded area to protect them from damage .

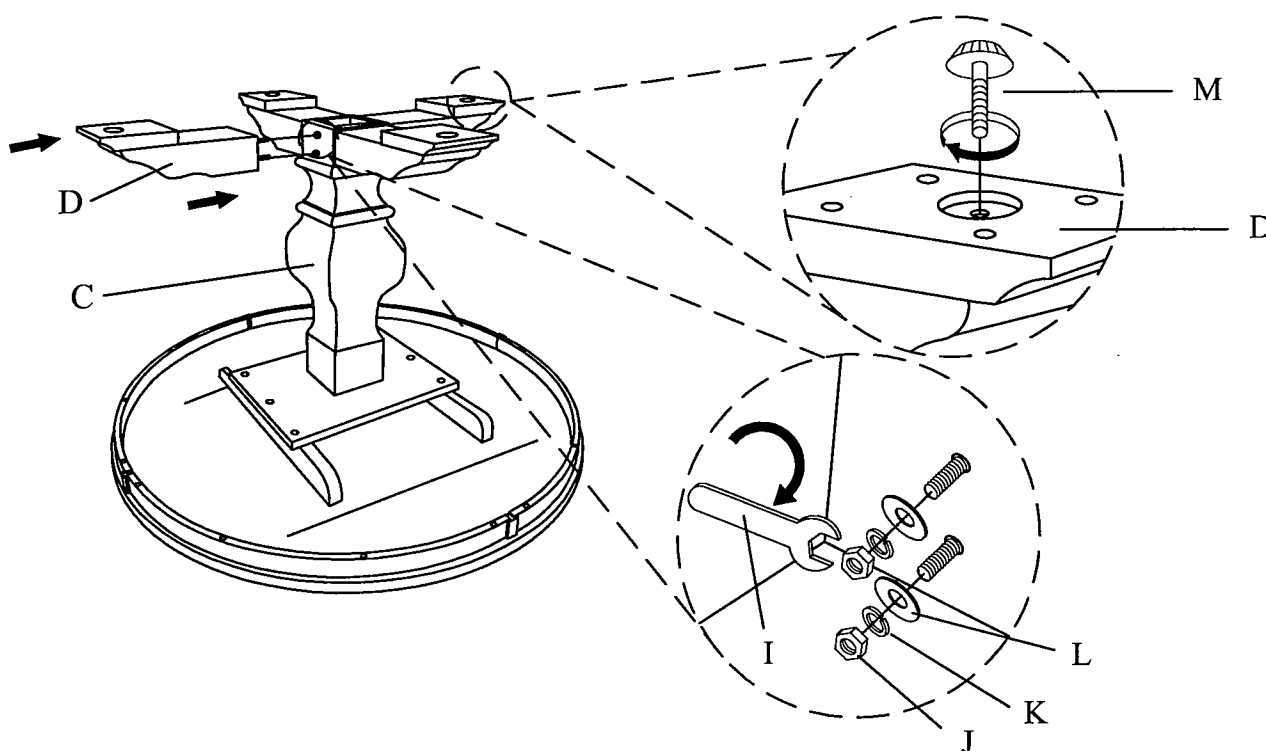
**1** Align and fasten mounting plate(B) to pedestal column(C) using hex nut(J), big spring washer(K) and big flat washer(L) and tighten with wrench(I).



**2** Place table top upside down on soft surface. Align and fasten mounting plate(B) to table top(A) using bolt(F), small spring washer(G) and small flat washer(H) and tighten with Allen wrench(E).  
**\*\* Do not fully tighten the nut or bolt until all nuts and bolts are attached.**



- 3** Screw in the leveler(M) to the bottom of pedestal leg(D). Align and fasten pedestal leg(D) to pedestal column(C) using hex nut(J), big spring washer(K), and big washer(L) and tighten with wrench(I).



Stand table up on an even surface and check that it is balanced. If there is a slight wobble, please adjust the leveler.

#### Cleaning & Care

Treat Surface with care. Surface is resistant to scratches but is not scratch resistant. Clean surface with a dry or damp soft cloth. Do not use abrasive cleaners. Hardware may loosen over time. Periodically check that all connections are tight.