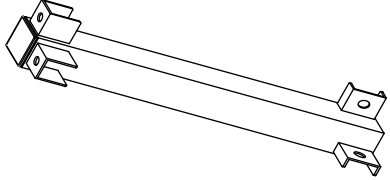


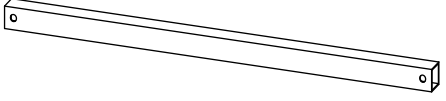
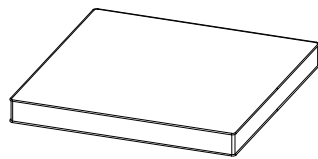
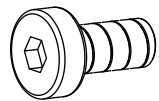
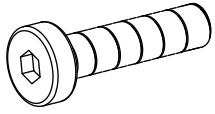
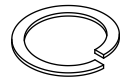
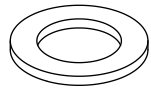
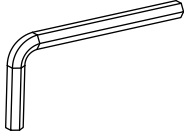
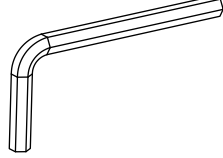
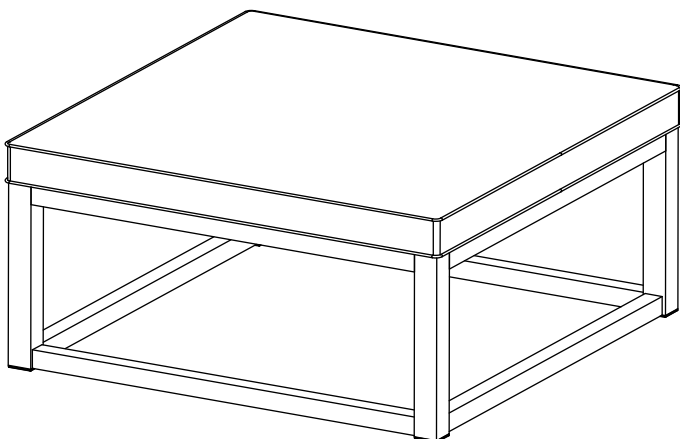


# ASSEMBLY INSTRUCTION

## METAL STRAIGHT LINE OTTOMAN

<b>A</b> Support  4pcs	<b>B</b> Top Stretcher  2pcs	<b>C</b> Top Stretcher w/ Iron Sheets  2pcs
<b>D</b> Bottom Stretcher  4pcs	<b>E</b> Cushion (In other carton)  1pc	<b>F</b> Bolt 1/4"x1/2"  16pcs
<b>G</b> Bolt 5/16"x3/4"  4pcs	<b>H</b> Lock Washer 5/16"  4pcs	<b>I</b> Flat Washer 5/16"  4pcs
<b>J</b> Allen Wrench 1/4"  1pc	<b>K</b> Allen Wrench 5/16"  1pc	

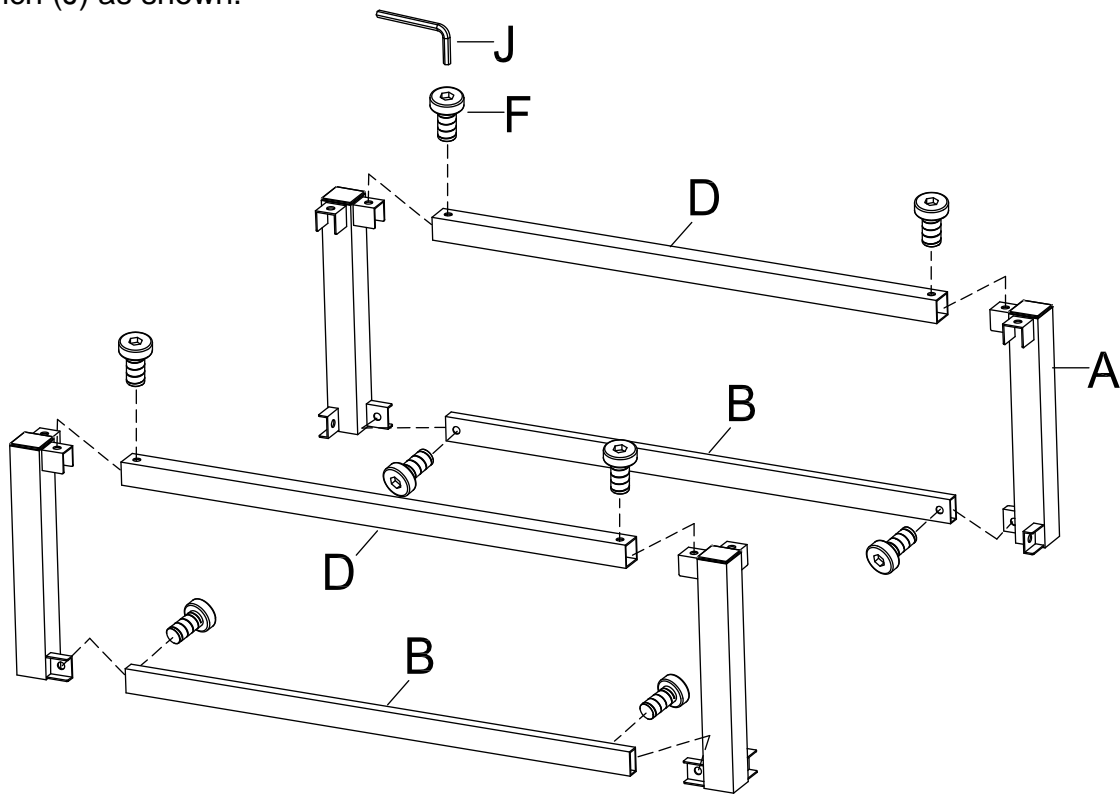


This page lists all the contents included in the box. Please take the time to identify the hardware as well as the individual components to this product. As you unpack and prepare for assembly, place the contents on a carpeted or padded area to protect them from damage.

**\*\*\* Do not tighten screws & bolts until the entire unit is completely assembled.**

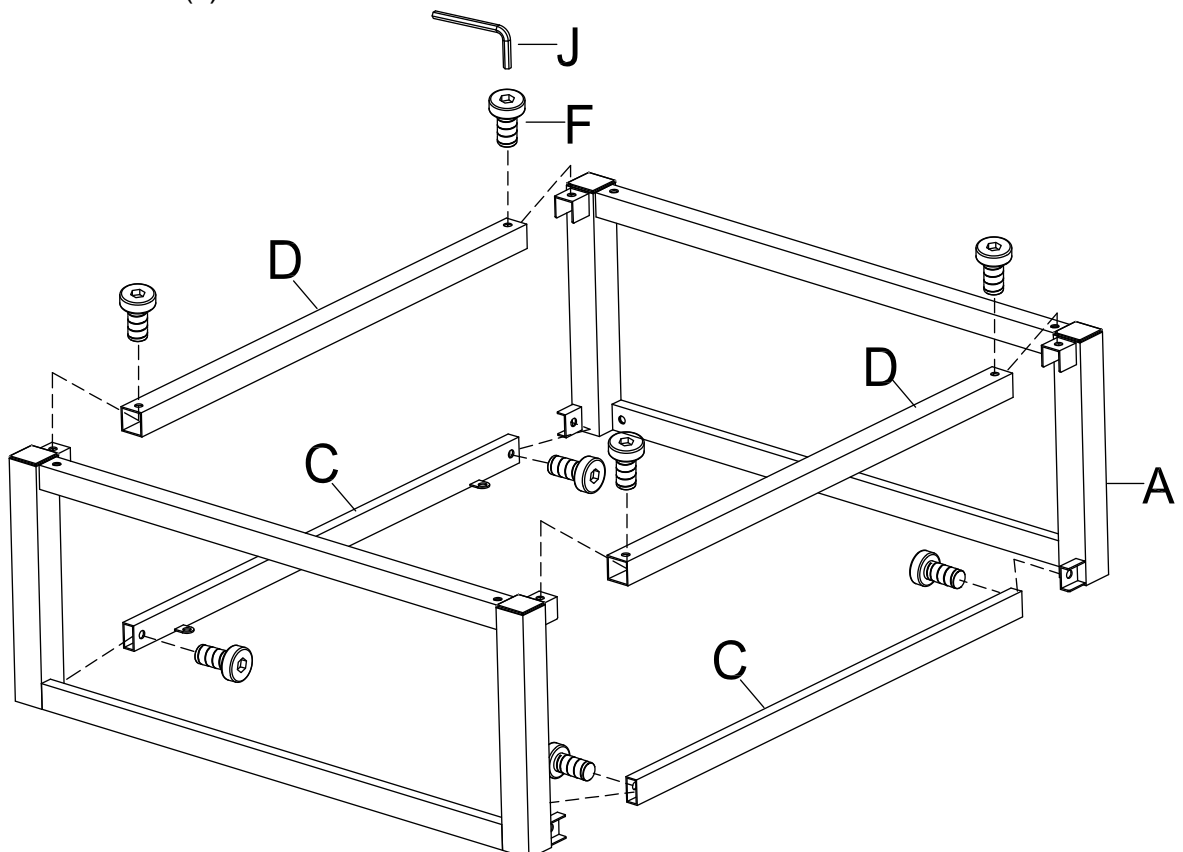
**1**

Attach top stretcher (B) and bottom stretcher (D) to support (A) by using bolt (F) and allen wrench (J) as shown.



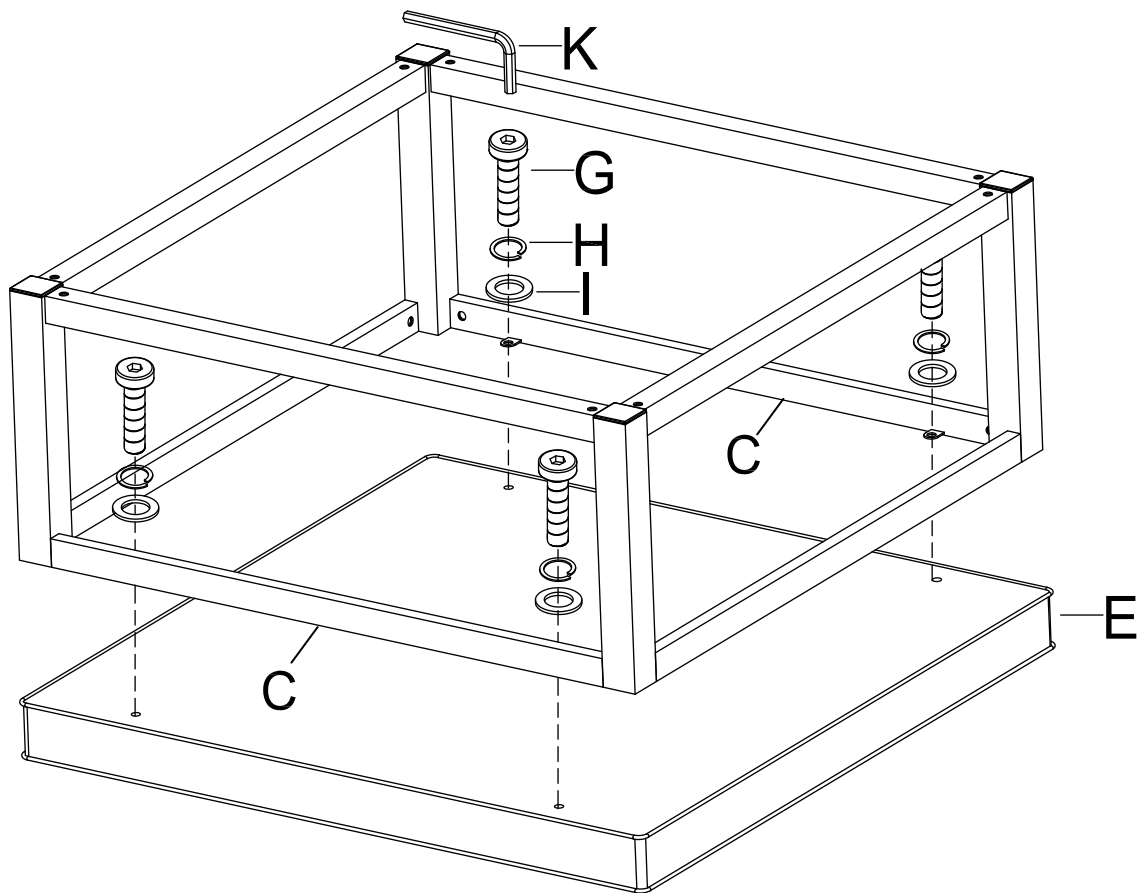
**2**

Attach top stretcher w/ iron sheets (C) and bottom stretcher (D) to support (A) by using bolt (F) and allen wrench (J) as shown.



**3**

Attach assembled metal base to cushion (E) by using bolt (G), lock washer (H), flat washer (I) and allen wrench (K) as shown. Tighten all bolts and carefully turn the assembled unit upright.



### Cleaning & Care

Treat surface with care. Surface is resistant to scratches but is not scratch resistant. Clean surfaces with a dry or damp soft cloth. Do not use abrasive cleaners. Hardware may loosen over time. Periodically check that all connections are tight.