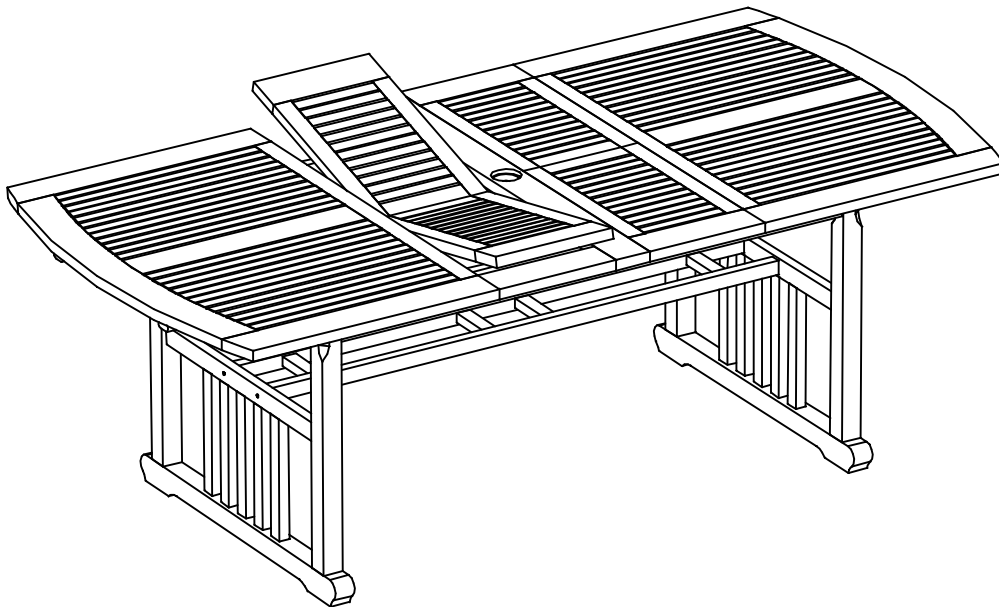




**CAMBRIDGE
CASUAL**

ASSEMBLY INSTRUCTIONS

EXTENDABLE DINING TABLE CC-320617



CUSTOMER SERVICE INFORMATION

Please do not return to the store. If any pieces are missing call our toll free number at 1-888-287-4275 from 9:00 am to 5:00 pm CST (Monday to Friday) for replacement parts. For faster service, have the style number handy when calling.



**CAMBRIDGE
CASUAL**

GENERAL INFORMATION & TIPS

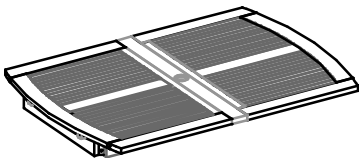
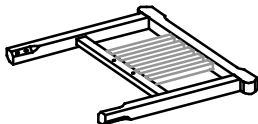
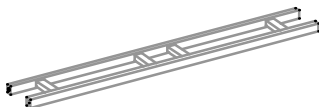





1. Please read the assembly instructions prior to assembling the table.
2. To avoid damage, assemble the table on a non-abrasive surface such as carpet.
3. Make sure all bolts tightly fastened before the table is used.
4. This table is not for commercial use.

Please make sure you have all parts before beginning assembly. Please wait until all steps are completed before tightening bolts.

Allen wrench. For tightening all bolts.
It's included in hardware list.

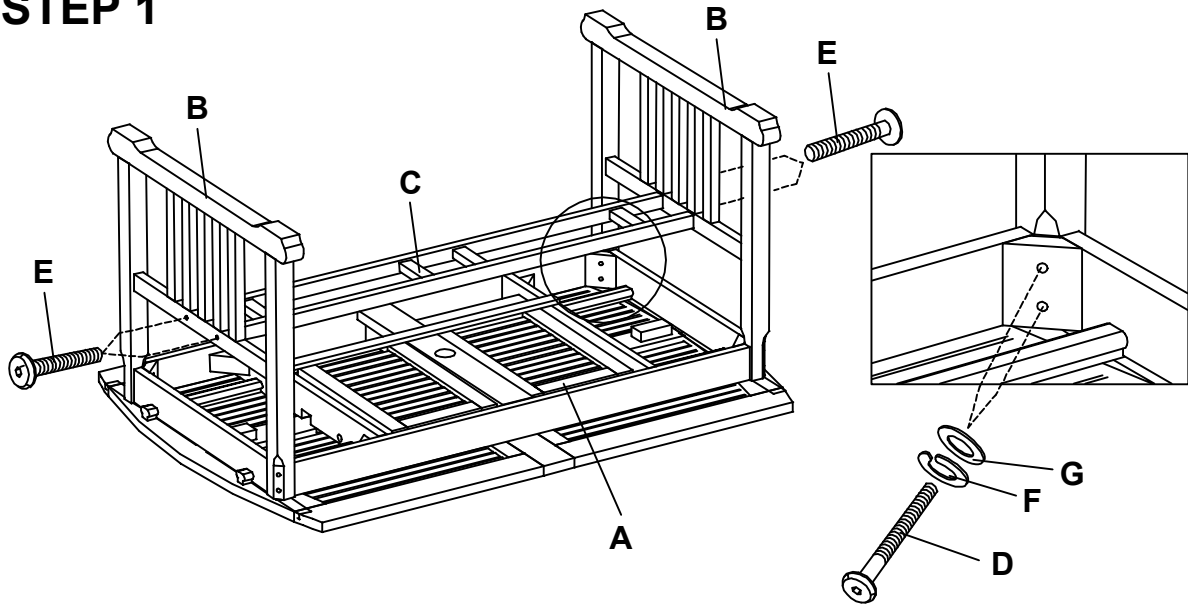


PARTS AND HARDWARE LIST

A. Table top	B. Leg frame	C. Cross bar
		
QTY: 1 pc	QTY: 2 pcs	QTY: 1 pc
D. 2 3/4" Bolt	E. 1 1/2" bolt	F. Spring Washer
		
QTY: 8 pcs + 1	QTY: 4 pcs + 1	QTY: 8 pcs + 1
G. Washer	H. Umbrella hole plug	
		
QTY: 8 pcs + 1	QTY: 1 set	

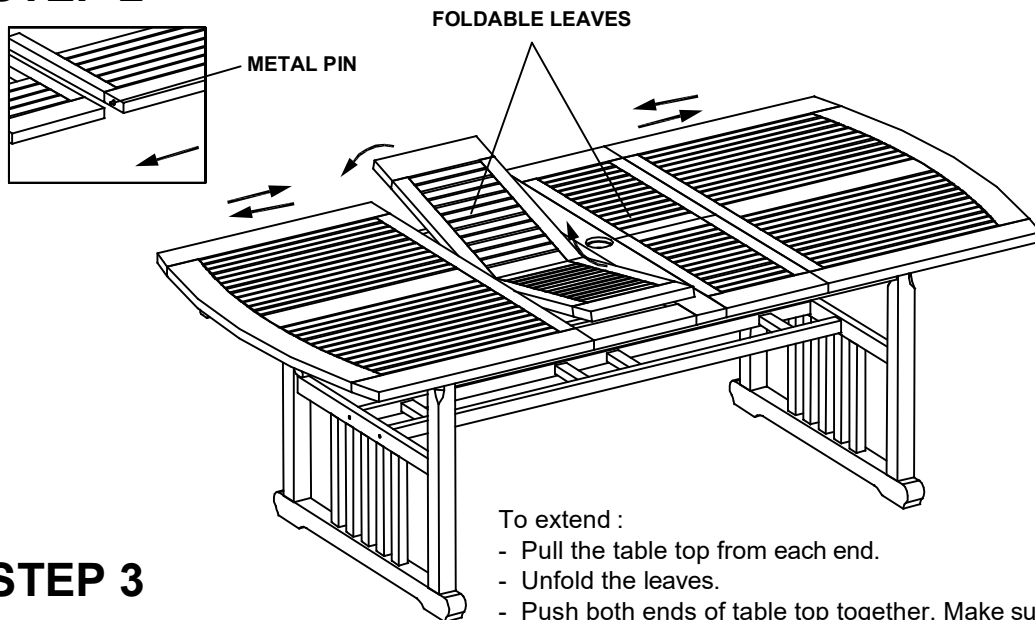
ASSEMBLY INSTRUCTIONS

STEP 1



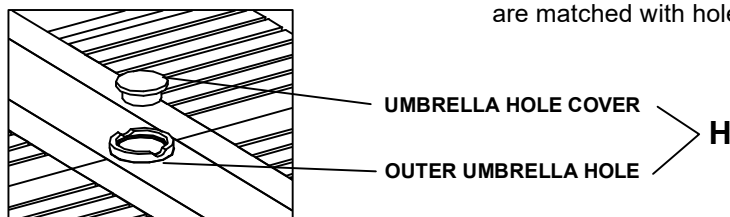
- Put the table (A) face down on a flat non-abrasive surface.
- Attach the leg frames (B) into table top (A) and secure using washers (G), spring washers (F) and 2 3/4" bolts (D) as diagram shown.
** DO NOT TIGHTEN ALL BOLTS YET.
- Next, attach the cross bar (C) into pre-assembled leg frames (B) and insert 1 1/2" bolts (E) into predrilled holes as shown.
- Make sure all parts are correctly connected and tighten all bolts completely using allen wrench.
- Turn the table upright.

STEP 2



- To extend :
- Pull the table top from each end.
 - Unfold the leaves.
 - Push both ends of table top together. Make sure metal pins are matched with holes as diagram shown.

STEP 3



Put the umbrella hole plug (H) into hole of table top (A) as diagram shown.

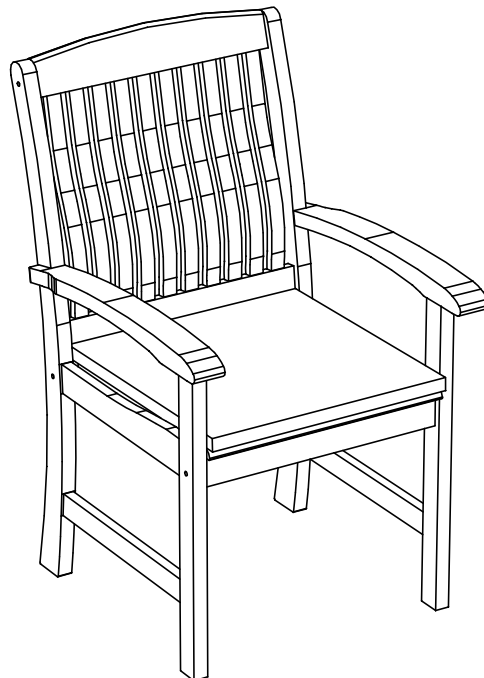




**CAMBRIDGE
CASUAL**

ASSEMBLY INSTRUCTIONS

ARM CHAIR CC-120399



CUSTOMER SERVICE INFORMATION

Please do not return to the store. If any pieces are missing call our toll free number at 1-888-287-4275 from 9:00 am to 5.00 pm CST (Monday to Friday) for replacement parts. For faster service, have the style number handy when calling.



**CAMBRIDGE
CASUAL**

GENERAL INFORMATION & TIPS

1. Please read the assembly instructions prior to assembling the chair.
2. To avoid damage, assemble the chair on a non-abrasive surface such as carpet.
3. Make sure all bolts tightly fastened before the chair is used.
4. This chair is not for commercial use.

Please make sure you have all parts before beginning assembly. Please wait until all steps are completed before tightening bolts.

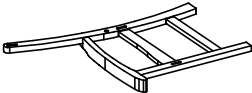
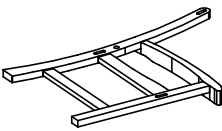
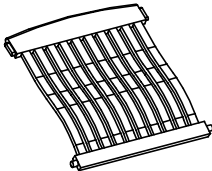





1. A Phillips screwdriver is necessary for assembly.
It's not included in hardware list.



2. A Rubber mallet is necessary for assembly.
It's not included in hardware list.

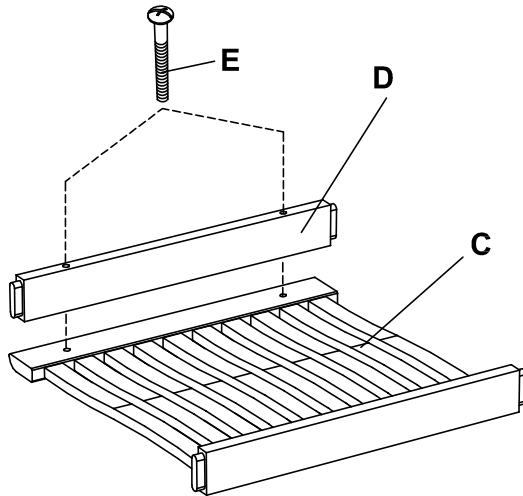


PARTS AND HARDWARE LIST

A1. Right side frame	A2. Left side frame	B. Back support	C. Seat
			
QTY: 1 pc	QTY: 1 pc	QTY: 1 pc	QTY: 1 pc
D. Apron			
			
QTY: 1 pc			
E. 2 1/4" Bolt	F. 1" Bolt	G. Wooden Cap	
			
QTY: 2 pcs + 1	QTY: 6 pcs + 1	QTY: 6 pcs +1	

ASSEMBLY INSTRUCTIONS

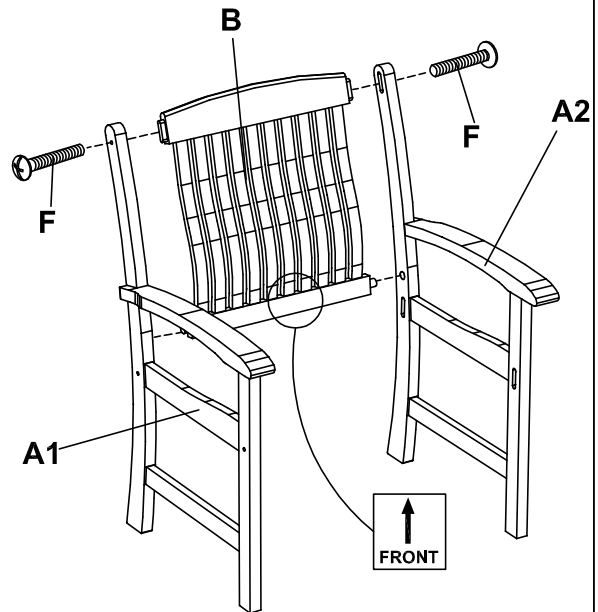
STEP 1



Attach the apron (D) into bottom of seat (C) and secure using 2 1/4" bolts (E).

** DO NOT TIGHTEN BOLTS YET.

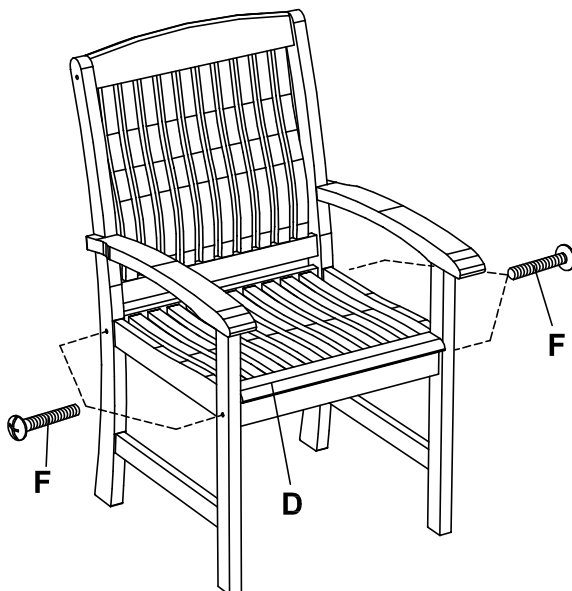
STEP 2



Attach right and left side frames (A1 & A2) into back support (B). Secure using 1" bolts (F).

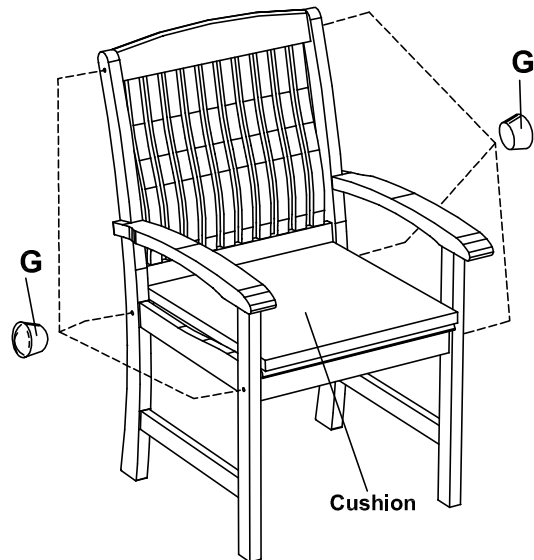
** DO NOT TIGHTEN BOLTS YET.

STEP 3



Next, attach the pre-assembled seat into right and left side frames (A1 & A2). (The seat with apron must be attached in front). Secure seat using 1" bolts (F) as shown. Tighten all bolts using screwdriver.

STEP 4



- Make sure all parts are correctly connected and tighten all bolts completely using screwdriver.
- Tapping in the wooden caps (G) to cover bolts head using rubber mallet.
- Install the cushion on the chair.

THE CHAIR IS NOW READY FOR USE.

