

Thank You for purchasing this Quality product. It has been engineered for easy of assembly yet constructed for durability. Please take the time to read and follow the instruction while assembling.

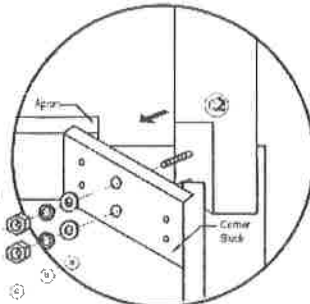
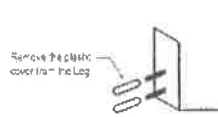
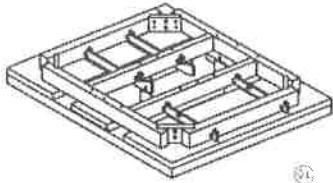
ASSEMBLY INSTRUCTION

38" x 68" Retractable Leg Table Oak

Model : 17 - T 3868

Step 1 Turn the under side of the Table Top over and place it on a clean and smooth surface such as rug or carpet to avoid the Table Top from being scratch.

Fix the Leg to the corner of the Apron with Flat Washer, Spring Washer and Hexagon Nut. Using the Spanner to tighten it.



Repeat the step for other three Legs.

Notes

- * Check to be sure that you have all parts and hardware.
- * Remove all wrapping materials including staples & packing straps before you start to assemble.

Care And Maintenance

- * The Touch of a soft cloth is all the maintenance your wood pieces will ever need.
- * Never use harsh chemicals or abrasive cleaner as they could mark or destroy finish.

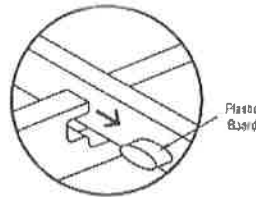
Step 2 Turn the assembled Table over carefully. The two sides Table Top can be pull out & stored under Center Top as Shown in diagram.



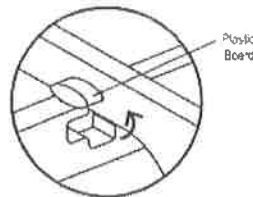
Do not extend to the full length of the Table Top.

Push the Table Top to close with the Center Leaf until it leaves no empty spaces.

Move direction of Wood Runner.



Move direction of Wood Runner after fully set up.

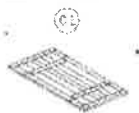


Important Notes

- * Keep all hardware parts out of reach of children.
- * Must tighten screws periodically. With use screws will become loose. Check tightness of all screws every 6-8 weeks.
- * Don't attempt to repair or modify parts that are broken or defective. Please contact the store immediately.



List of Part



Assembled Table Top

1



Leg

4

List of hardware



Flat Washer

8



Spring Washer

8



Hexagon Nut

8



Spanner

1