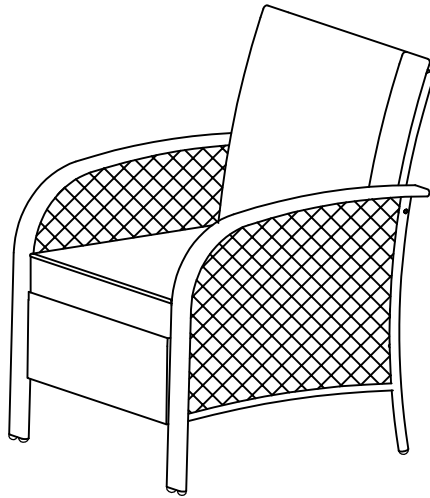


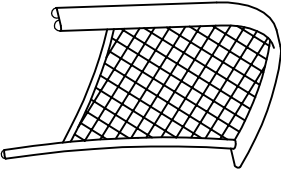
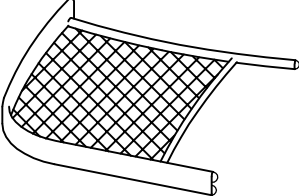
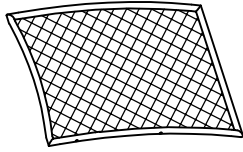
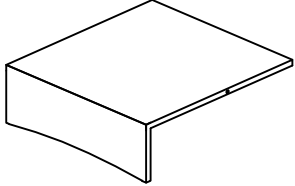
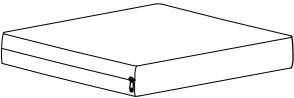
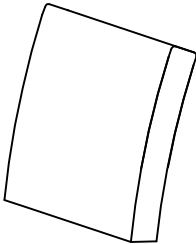


Outdoor Wicker Arm Chair


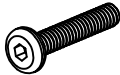


CO7128DW






PART LIST

<p>A</p> 	<p>B</p> 	<p>C</p> 	<p>D</p> 
<p>Left Arm Panel 1 PC</p>	<p>Right Arm Panel 1 PC</p>	<p>Back Panel 1 PC</p>	<p>Seat Panel 1 PC</p>
<p>E</p> 	<p>F</p> 		
<p>Seat Cushion 1 PC</p>	<p>Back Cushion 1 PC</p>		

HARDWARE LIST

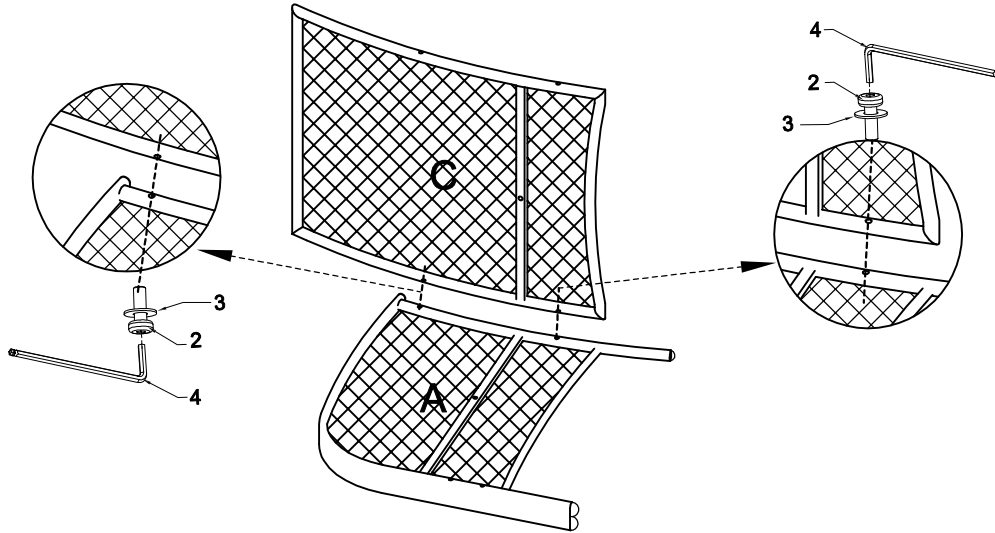
<p>1</p>  <p>M6*30mm</p>	<p>2</p>  <p>M6*40mm</p>	<p>3</p>  <p>M6mm</p>	<p>4</p> 
<p>Short Bolt 6PCS</p>	<p>Long Bolt 5PCS</p>	<p>Washer 11PCS</p>	<p>Allen Key 1PC</p>

EXTRA HARDWARE LIST

 <p>1X2PCS</p>	 <p>2X2PCS</p>	 <p>3X3PCS</p>
---	---	---

Step 1. Lay Left Panel (A) down on a flat surface. Attach Back Panel(C) to Left Arm Panel(A) using the Long Bolts(2), Washers(3) & Allen Key (4).

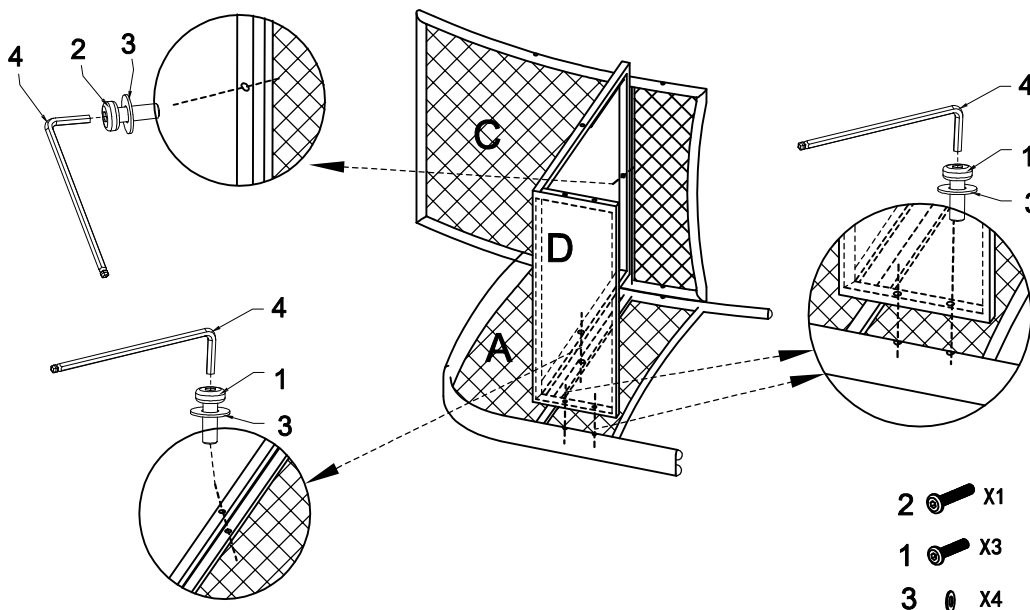
NOTE: Please do not fully tighten bolts until unit is fully assembled.



2  X2

3  X2

Step 2. Attach Seat Panel(D) to Left Arm Panel(A) and Back Panel (C) using the Short Bolts(1), Long Bolts(2), Washers(3) & Allen Key (4).



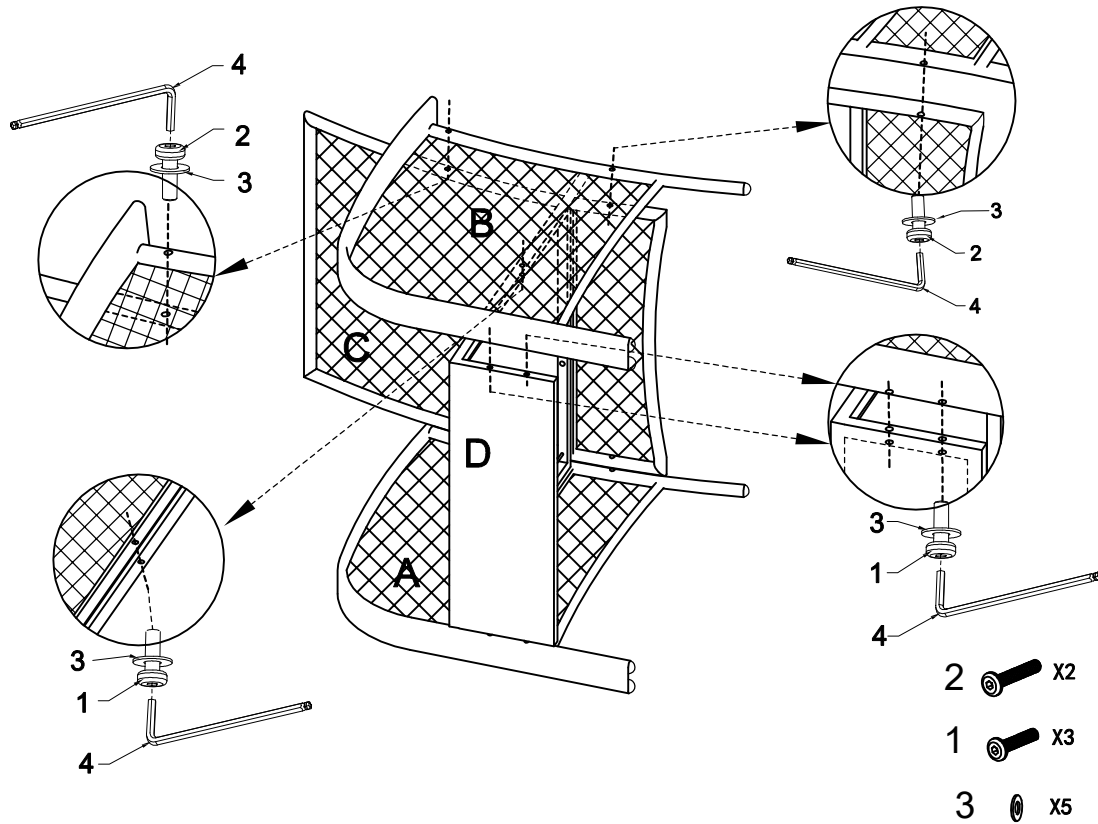
2  X1

1  X3

3  X4

Step 3. Attach Right Arm Panel(B) to assembled parts(A,C&D) using Short Bolts (1),Long Bolts (2),Washers (3) & Allen Key (4) .

NOTE: Please fully tighten all bolts at this time.



Step 4. Turn the chair upright and place Seat Cushion and Back Cushion on the chair.

