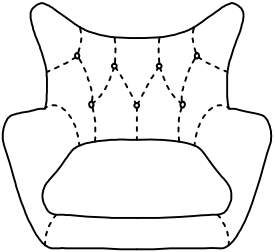
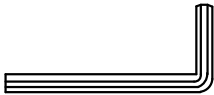
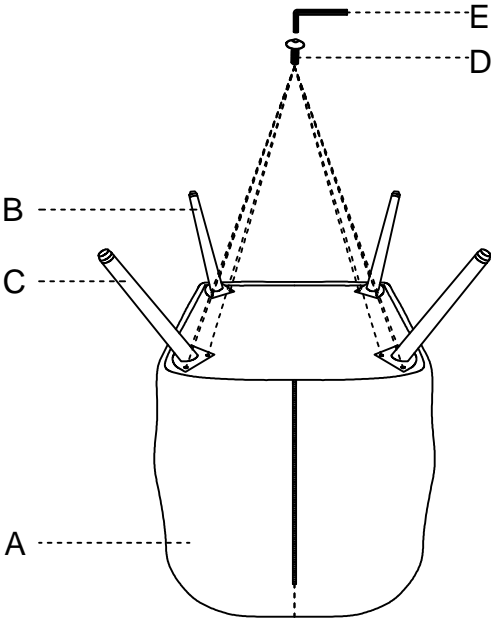
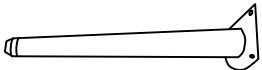
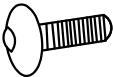
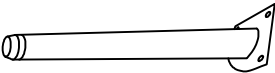
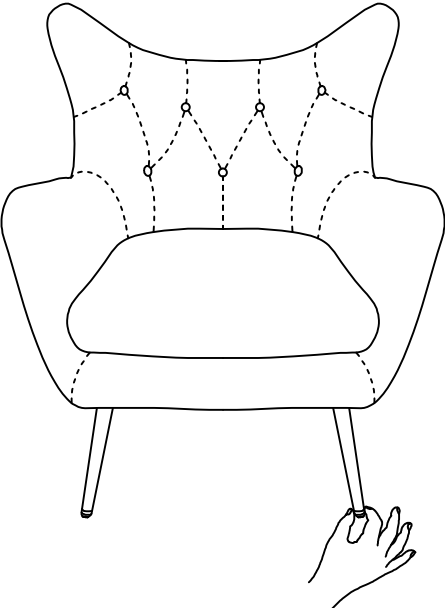


Assembly Instructions

<p>A*1</p> 	<p>E*1 M5</p> 	<p>①</p>  <p>Do not fully tighten the bolts until all the bolts align with the holes; please be sure you align the hole first !</p>
<p>B*2(FRONT)</p> 	<p>D*1 M6*16mm</p>  <p>EXTRA PARTS</p>	
<p>C*2(BACK)</p> 		<p>②</p>  <p>Attention: After installation, adjust the two foot nails in front of the chair to keep the chair balanced !</p>
<p>D*12 M6*16mm</p> 