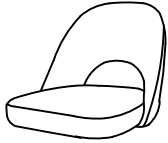


ASSEMBLY INSTRUCTION

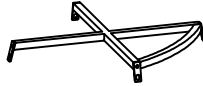
SWIVEL BAR HEIGHT CHAIR

A Chair Seat



1 PC

B Leg Support



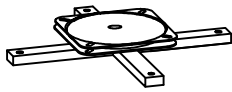
1 PC

C Leg



4 PCS

D Rotary Turntable
14-1/2"x14-1/2"x1-1/2"



1 PC

E Long Bolt
1/4"x1-1/8"



8 PCS

F Bolt
1/4"x5/8"



8 PCS

G Spring Washer
1/4"



16 PCS

H Flat Washer
1/4"xφ16



12 PCS

I Flat Washer
1/4"xφ13



4 PCS

J Allen Key
M4

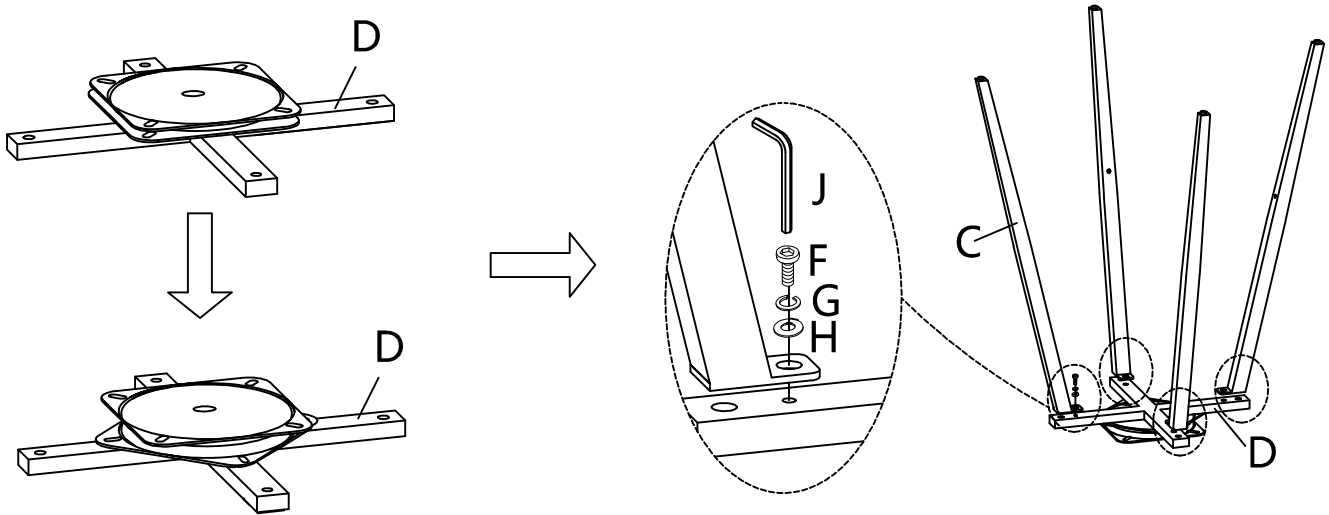


1 PC

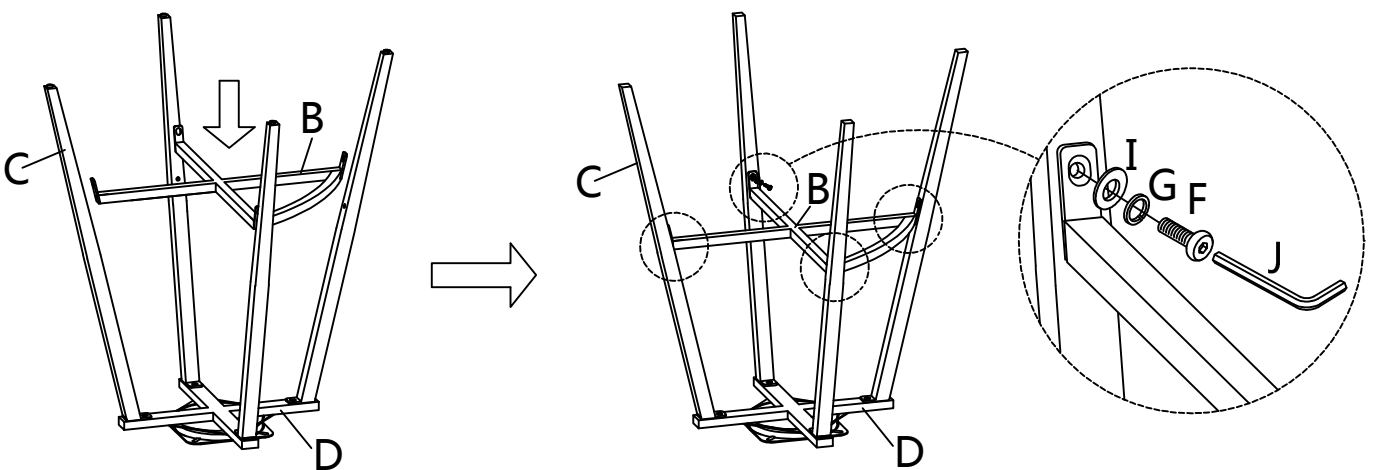


This page lists all the contents included in the box. Please take the time to identify the hardware as well as the individual components to this product. As you unpack and prepare for assembly, place the contents on a carpeted or padded area to protect them from damage.

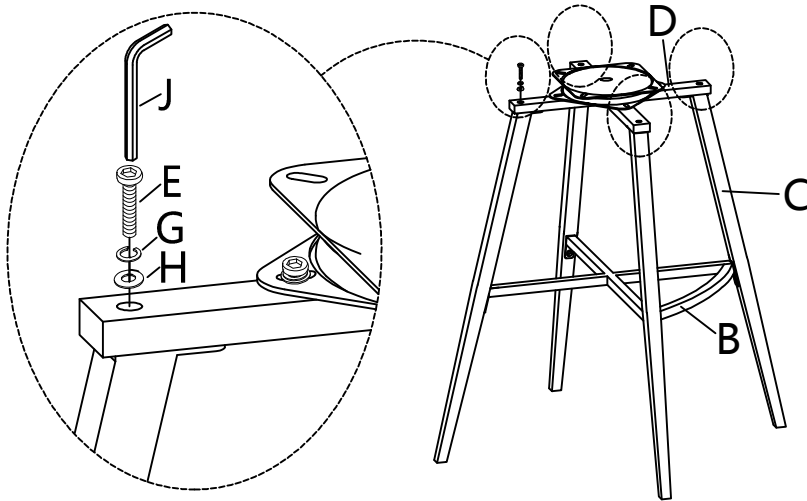
- 1** Please press down and rotate Rotary Turntable (D) to the picture below. Then attach Leg (C) to Rotary Turntable (D) using Bolt (F), Spring Washer (G), Flat Washer (H) with Allen Key (J).
Note: Do not fully tighten the bolts at this step.



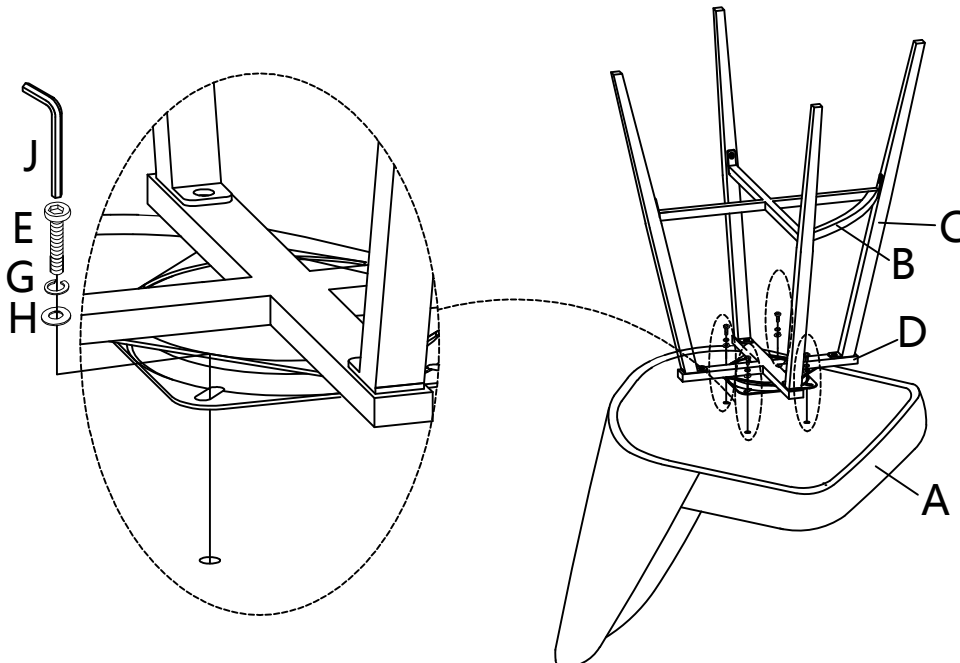
- 2** Put Leg Support (B) between assembled leg frame. Use Bolt (F), Spring Washer (G), Flat Washer (I) with Allen Key (J) to fix Leg Support (B) and Leg (C).
Note: Do not fully tighten the bolts at this step.



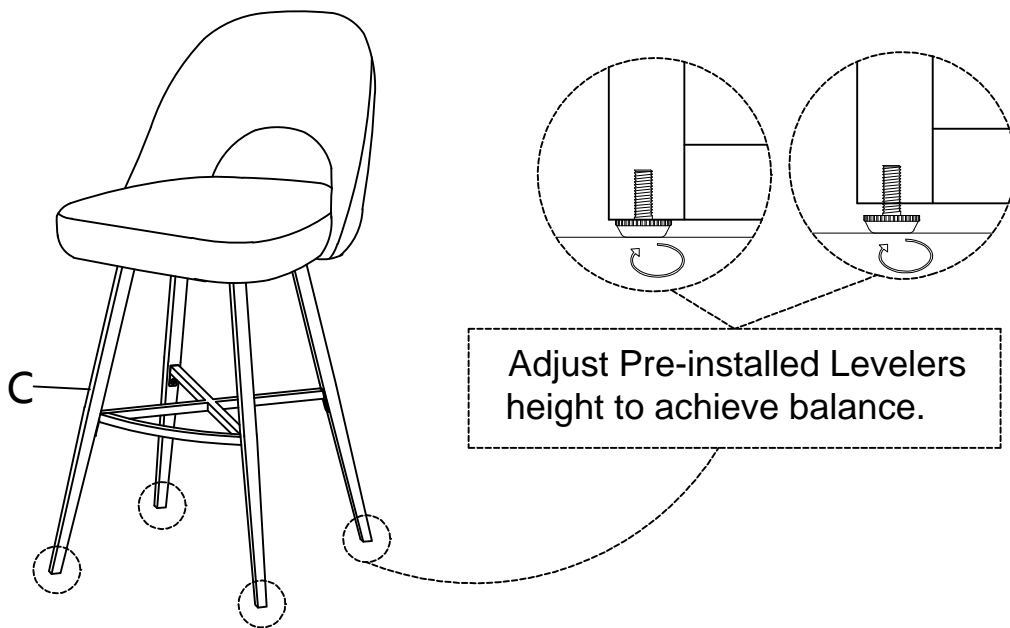
-
- 3** Stand the metal base up. Use Long Bolt (E), Spring Washer (G), Flat Washer (H) with Allen Key (J) to fix Rotary Turntable (D) and Leg (C).
Note: Fully tighten all bolts at this step.



-
- 4** Attach Rotary Turntable (D) to the bottom of Chair Seat (A) using Long Bolt (E), Spring Washer (G), Flat Washer (H) with Allen Key (J).



-
- 5** With assistance from your adult partners, turn the Chair right way up. Adjust the pre-installed levelers on the bottom of Leg (C) until the Chair is level with the ground.



Cleaning & Care

Treat surfaces with care. Surfaces are resistant to scratches but are not scratch resistant. Clean surfaces with a dry or damp soft cloth. Do not use abrasive cleaners. Hardware may loosen over time. Periodically check that all connections are tight.