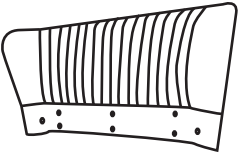
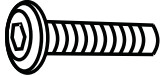

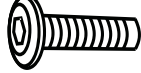


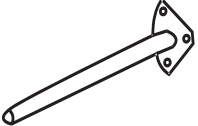

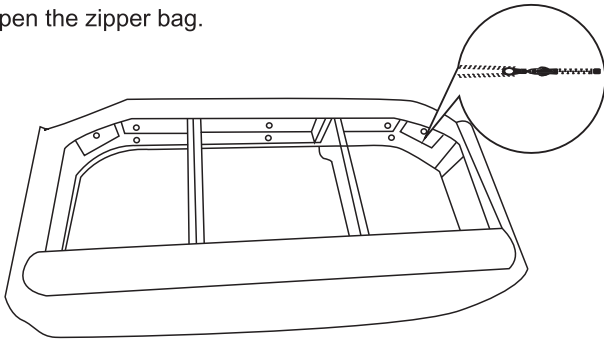


ASSEMBLY INSTRUCTIONS

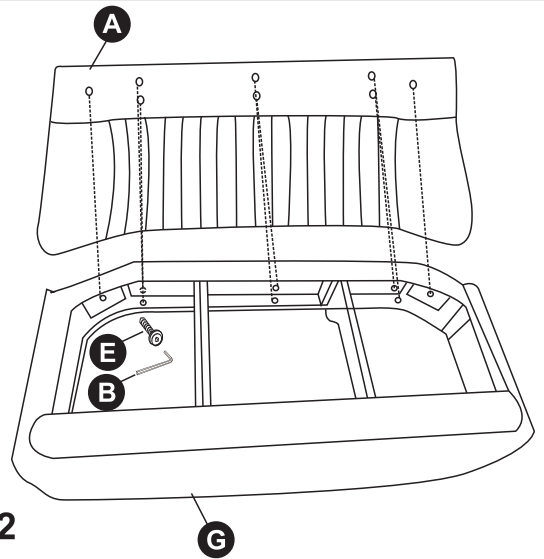
COMPONENTS:

A	 1PC	E	 8PC M8x55mm
B	 M8 1PC	F	 12PC M6x20mm
C	 M6 1PC	G	 1PC
D	 PC	T T	 M6x20mm M8x55mm

The components are in the pocket at the bottom of the seat, please open the zipper bag.

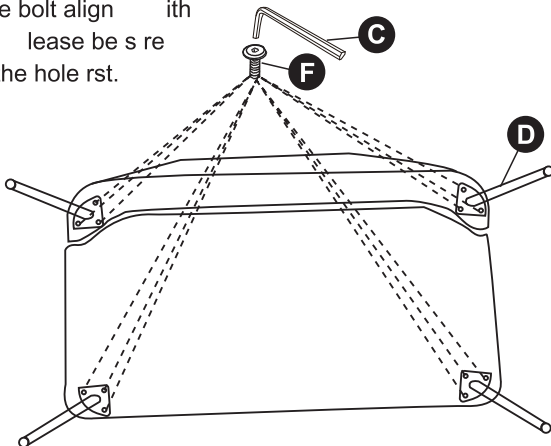


STEP1

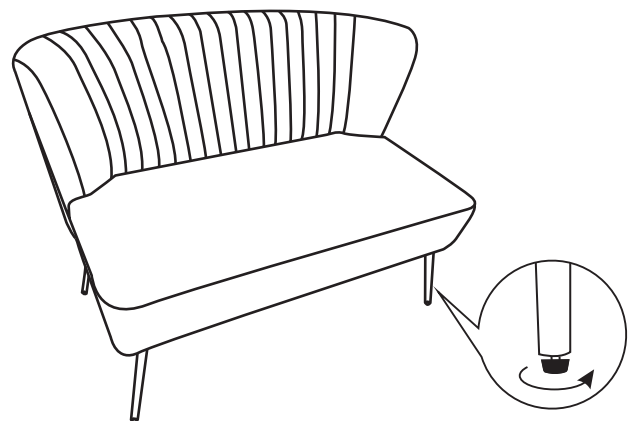


STEP2

Do not fully tighten the bolts until all the bolts align with the hole. Please be sure to align the hole first.



STEP3



STEP4