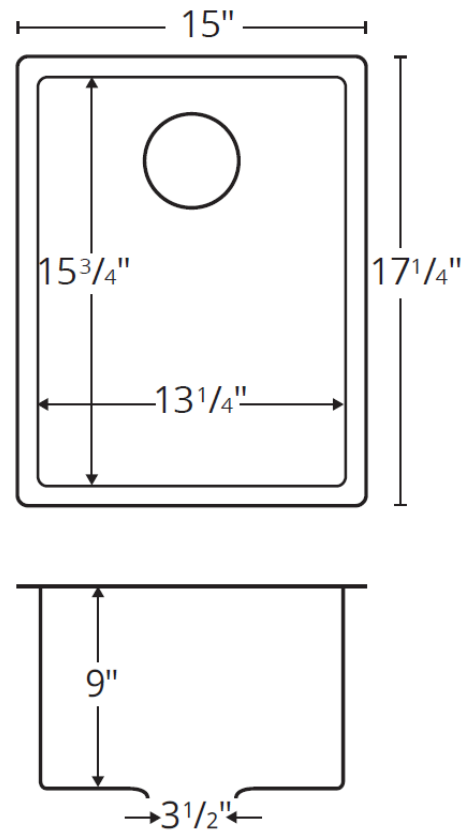
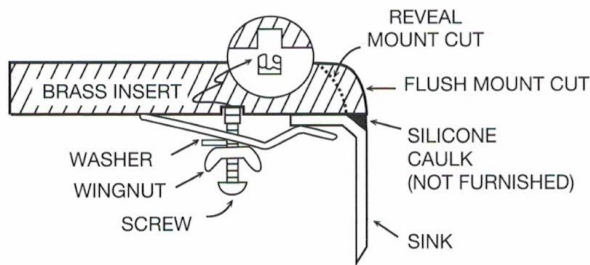


Karran Novaro Collection stainless steel kitchen sinks are manufactured from durable 18 gauge stainless steel that makes them tough and resilient to even the toughest daily tasks. Each sink is finished with an elegant, durable soft satin brushed finish that resists and disguises surface scratches. Designed to be undermounted in all types of solid surface, granite and quartz countertops. Comes complete with basket strainer and bottom grid.

<b>Series:</b>	Novaro Collection
<b>Material:</b>	18 Gauge, Type 304 stainless steel
<b>Installation Type:</b>	Undermount
<b>Configuration / Style:</b>	Single bowl
<b>Finish:</b>	Soft satin brushed finish
<b>Overall dimensions:</b>	15" x 17-1/4"
<b>Inside bowl dimensions:</b>	13-1/4" x 15-3/4" x 9"
<b>Drain size:</b>	3-1/2"
<b>Min. cabinet size:</b>	18"
<b>Template included:</b>	Yes
<b>Clips included:</b>	Yes
<b>Accessories included</b>	Bottom grid, basket strainer



**INSTALLATION PROFILE**



**PROJECT INFORMATION**

PROJECT: \_\_\_\_\_

CONTACT: \_\_\_\_\_

DATE: \_\_\_\_\_

NOTES: \_\_\_\_\_

\_\_\_\_\_

\_\_\_\_\_

**APPROVAL:**

**OPTIONAL ACCESSORIES**

- Stainless steel basket strainer [L-2]
- Stainless steel disposal flange [L-2DF]

We reserve the right to update product specifications without notice. Please visit [karran.com](http://karran.com) for the most current specification sheets. All dimensions are accurate to 1/4". REV 05-2022