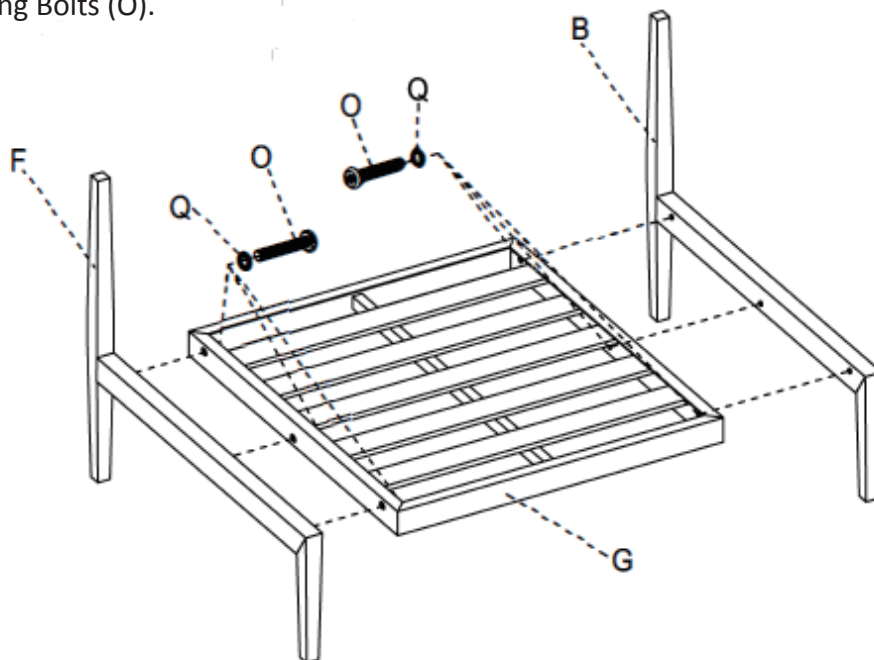


Assembly Instruction

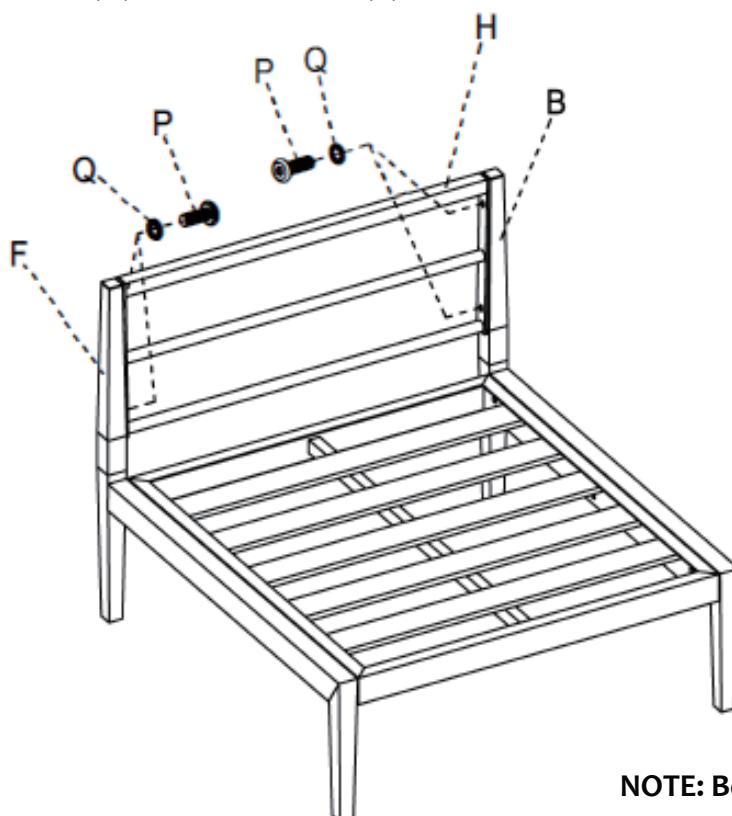
Armless Sofa with Cushions

NOTE: One Armless Sofa Handwares bag in carton.

Step 1 Attach Left Legs (B) and Right Leg (F) to the Armless Seat Panel (G) by using 6 Washers (Q) and 6 long Bolts (O).



Step 2 Attach Armless Back Panel (H) to Left Legs (B) and Right Leg (F) and Armless Seat Panel (G) by using 4 Washers (Q) and 6 short Bolts (P).



NOTE: Bolt here without washer.