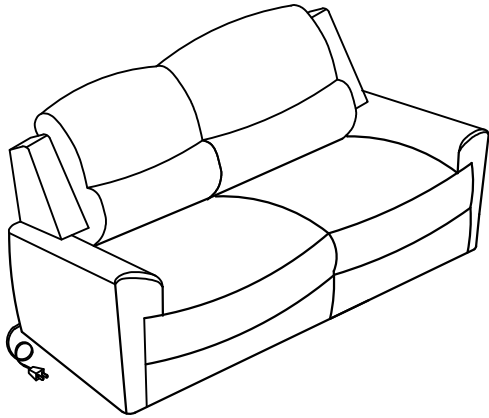
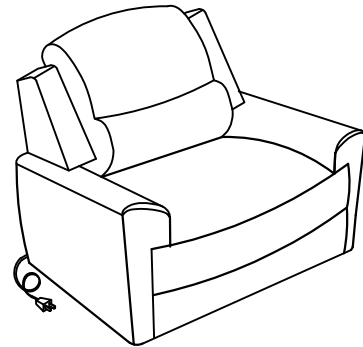


Assembly Instructions

Model JR001



POWER RECLINING SOFA

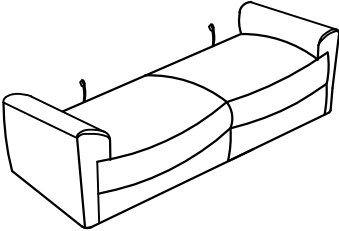
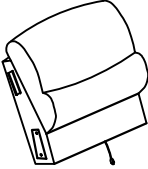
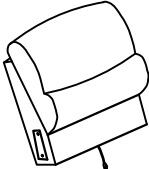
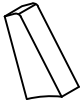
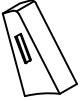



POWER RECLINING CHAIR

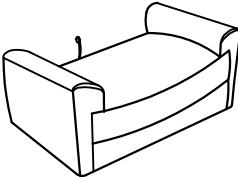
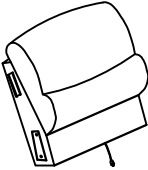

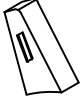

REQUIRED TOOLS: (Tool Free)

PARTS:(Included)

POWER RECLINING SOFA

| | | |
|--|--|--|
| <p>A1 RECLINING SOFA BODY x1</p>  | <p>B1-1 LAF BACKREST x 1</p>  | <p>B1-2 RAF BACKREST x 1</p>  |
| <p>C1-1 LAF WING x 1</p>  | <p>C1-2 RAF WING x 1</p>  | <p>D POWER CORD x 1</p>  |

POWER RECLINING CHAIR

| | | |
|---|--|---|
| <p>A2 RECLINING SOFA BODY x1</p>  | <p>B2 BACKREST x 1</p>  | <p>C2-1 LAF WING x 1</p>  |
| <p>C2-2 RAF WING x1</p>  | <p>D POWER CORD x 1</p>  | |

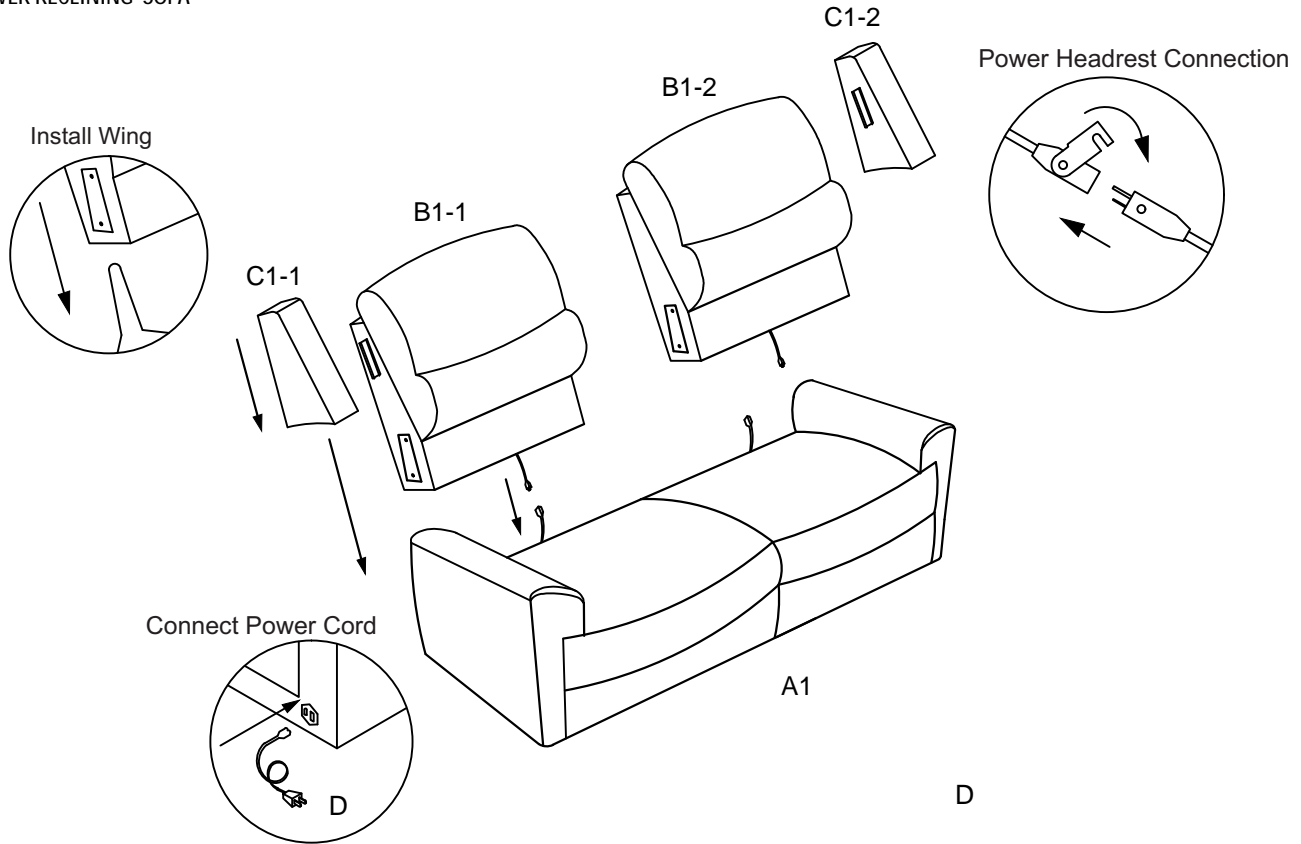
Assembly Instructions

Model JR001

It is recommended to have 2 adults on hand for assembly.

Ensure that all bolts are tightened before use. Check and tighten all bolts periodically throughout use of the products.

POWER RECLINING SOFA



POWER RECLINING CHAIR

