

CARE AND MAINTENANCE

Store outdoor furniture indoors or cover well when not in use.

Remove wooden furniture from standing water. Dust regularly with small brush or vacuum

Spills should be taken care of immediately before they harden or stain with a slightly dampened sponge.

NOTICE

- * Please make sure that you have all parts indicated before you begin assembly of this item
- * This item should be assembled on a soft surface to prevent scratching the finish during assembly
- * This item may require periodic tightening

 **SAFAVIEH**
O U T D O O R


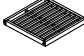




Weight Capacity : 275 lbs

Warning : Do not stand on chair

Warning : Do not over torque bolts / screws

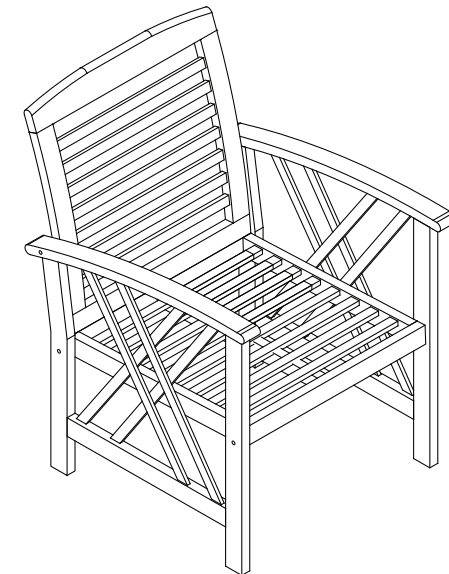


Part List and Hardware List

PIECE	DESCRIPTION	PICTURE	QUANTITY
A	Leg Frame		2X
B	Seat Frame		1X
C	Back frame		1X
D	Screw -1	 M6X80	2X
E	Screw -1	 M6X60	6X
H1	Allen key	 LG5	1X

Model# PAT7008

Product Dimensions: 23.23" W x 26.38" D x 32.48" H



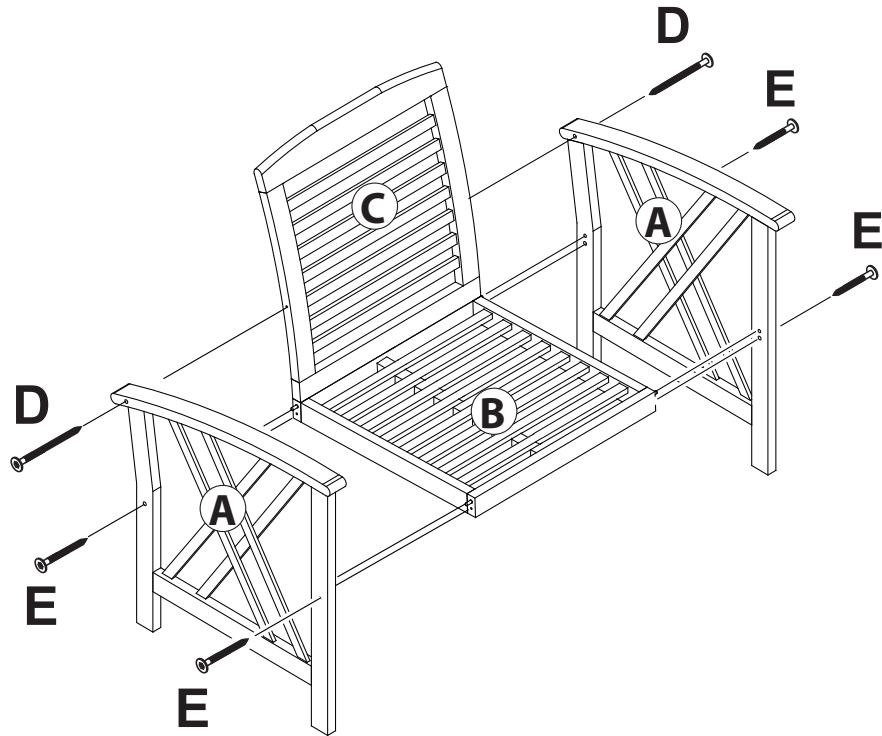
PREPARATION

Before beginning assembly of product, make sure all parts are present. Compare parts with package contents list and hardware contents list. If any part is missing or damaged, do not attempt to assemble the product.

Estimated Assembly Time: 10 minutes.

Tools Required for Assembly (included): Allen Key

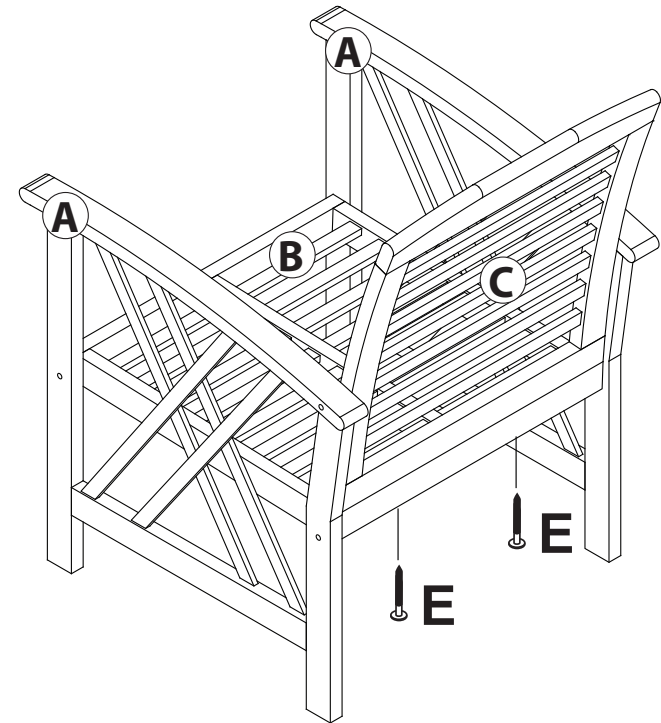
1



Step 1

Attach leg frame (A) to back frame (C), use screws-1 (D), tighten with allen key(H1). Use screw -1 (E) to connect leg frame (A) with seat frame (B), tighten with allen key (H1).

2



Step 2

Tighten screw- 1 (E) with allen key (H1) to attach back frame(C)