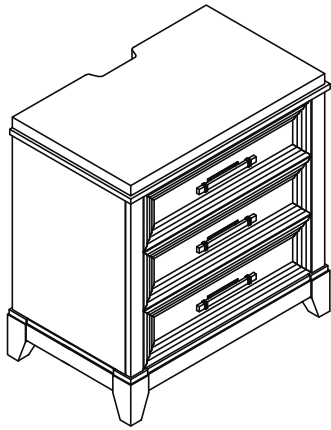




**ITEM# : 902-BR61**

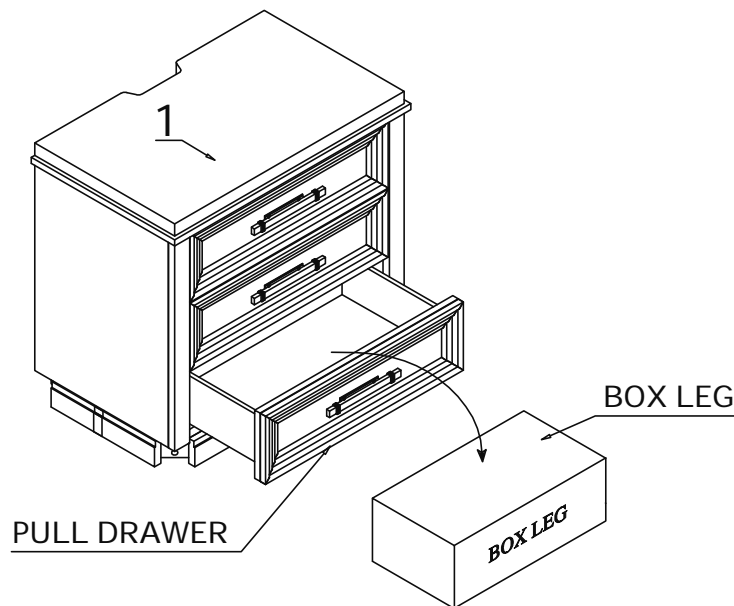
**DESCRIPTION: 3 DRAWER NIGHTSTAND**

Thank you for purchasing this quality product. Be sure to check all packing material carefully for small parts which may have come loose inside the carton during shipment. Identify and count all parts and compare with the parts list below:



PARTS LIST			
NO.	DRAWING	DESCRIPTION	Q'TY
1		3 DRAWER NIGHTSTAND	1PC
2		LEG	4PCS
HARDWARE LIST			
NO.	HARDWARE LIST		Q'TY
A		HEX NUT $\phi$ 5/16"	8 PCS
B		LOCK WASHER $\phi$ 5/16"	8 PCS
C		FLAT WASHER $\phi$ 5/16"*19*2mm	8 PCS
D		OPEN WRENCH 5mm	1PC
E		Furniture Tipping Restraint	1PC

**STEP 1**



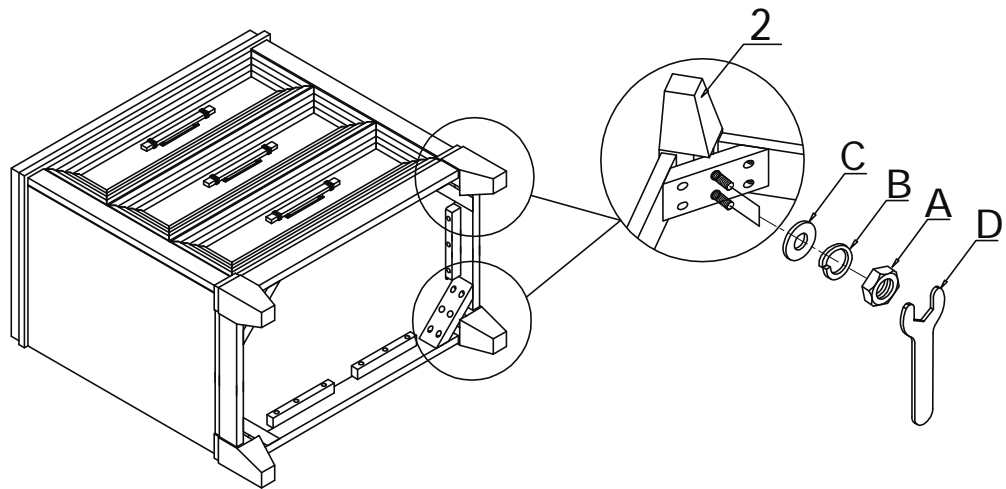


ITEM# : 902-BR61

DESCRIPTION: 3 DRAWER NIGHTSTAND

Thank you for purchasing this quality product. Be sure to check all packing material carefully for small parts which may have come loose inside the carton during shipment. Identify and count all parts and compare with the parts list below:

STEP 2



STEP 3

