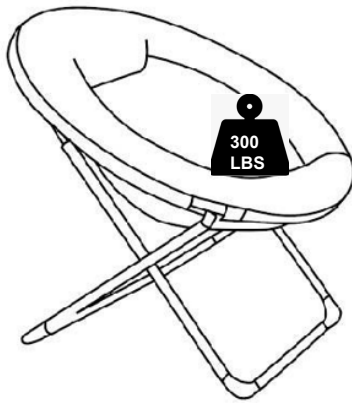


Thank you for your purchase



Folding Saucer Chair



Assembly Instructions:

Before you begin:

Please identify all component parts and hardware pieces required before you begin. Carefully remove all of the components from the packaging and set aside for assembly. Assemble on a soft surface to prevent scratching during assembly. A Phillips screwdriver is required for assembly (not included).

Caution:

Tighten all components securely before use. Failure to do so may result in personal injury. Do not use any sharp objects to open plastic wrapped components as damage to product or components may result.

Warning

CHOKING HAZARD – Small Parts included, keep away from children.

Adult assembly required.

This item contains small parts that have sharp points and sharp edges in the unassembled state. Please keep away from children.

Adults must be extra careful to securely tighten all screws, make sure the product is properly assembled, and ensure there are no left-over parts (e.g. Allen Wrench) within the reach of children.

Some items require a tipping restraint and must be installed prior to using the product. If a tipping restraint is required, we will include one and the installation of the tipping restraint will be noted in the assembly instructions. Serious or fatal injuries can occur from furniture tipping over. The tipping restraint will help prevent the unit from tipping and causing accidental instability, injury, damage, or death. Tipping restraints are an additional safety measure and are not a substitute for proper adult supervision when using the product. If a tipping restraint is required and was not included with the unit, do not assemble the product and please contact us at Belnick.com for a replacement.

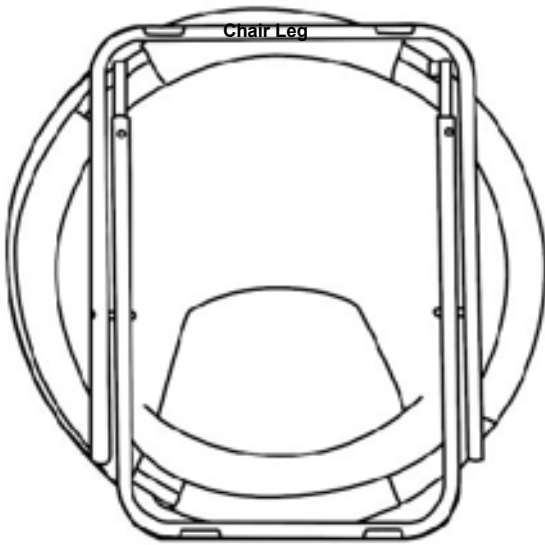
HAVE A QUESTION /CONCERN? Quality products and first-class customer service are the cornerstone of long-lasting consumer relationships. We strive toward excellence in all we do and want you to be completely satisfied with your purchase. Please contact our exceptional Customer Experience Agents at the email address or phone number shown below to assist you with any product questions or issues. We look forward to serving you in a friendly, efficient manner to resolve any issues you may have.

Customer Service Email: CustomerExperience@belnick.com | Customer Service Phone: 866-522-2810

Details about our product warranty are available at Belnick.com.

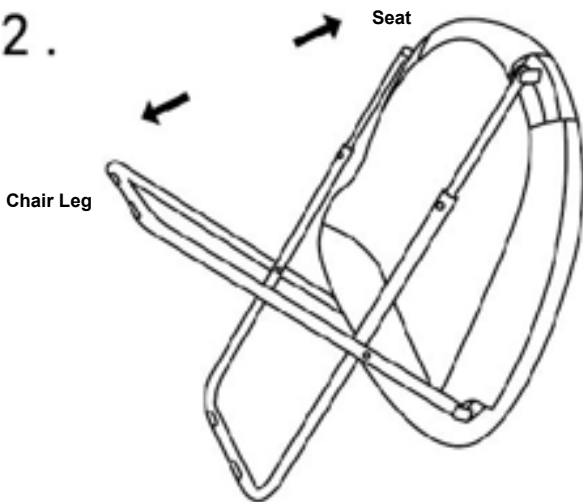
User Manual

1.



Stand chair on it's side with one chair leg facing up.

2.



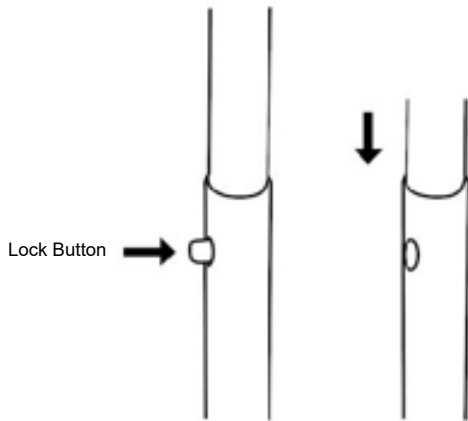
Pull chair leg away from the seat until you hear the click of the lock buttons.

3.



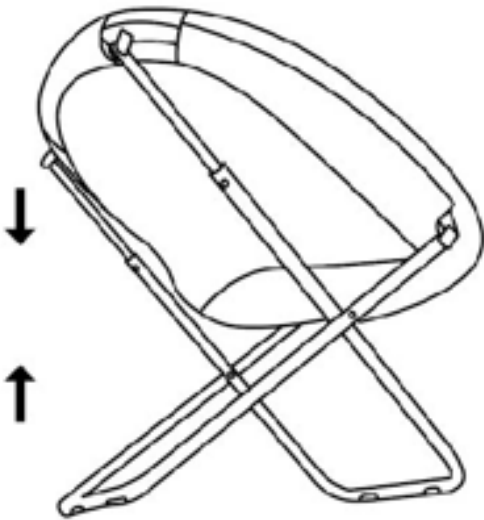
Return chair to the upright position.

4.



To fold the chair flat, press in on the lock button on each leg.

5.



Push the back of the chair downwards toward the floor until the chair is completely folded.

6.

