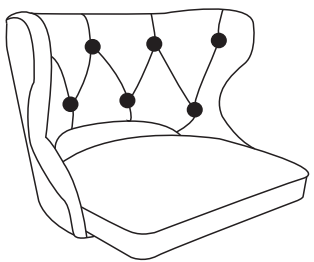
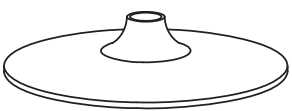
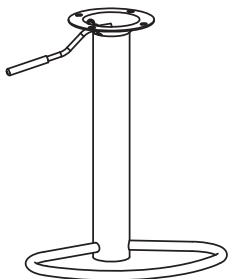
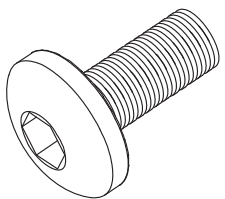



# ASSEMBLING INSTRUCTION

<p>Ax1</p> 	<p>Dx1</p> 
<p>Bx1</p> 	<p>Ex4</p> 
<p>Cx1</p> 	<p>Fx1</p> 