



*ASSEMBLY INSTRUCTIONS
COASTER FINE FURNITURE*

Fine Furniture for every stage of life

223521KW(B1-B3)
California King Bed

REVISION 0 : 11/06/2020
REVISION 1 : 04/28/2021

PAGE 1 OF 7

COASTERFURNITURE.COM

ITEM: 223521KW(B1-B3)



ASSEMBLY INSTRUCTIONS

ASSEMBLY TIPS :

1. Remove hardware from box and sort by size.
2. Please check to see that all hardware and parts are present prior to start of assembly.
3. Please follow attached instructions in the same sequence as numbered to assure fast & easy assembly.



WARNING !

1. Don't attempt to repair or modify parts that are broken or defective. Please contact the store immediately.
2. This product is for home use only and not intended for commercial establishments.



ASSEMBLY TIME

35 MINUTES

PARTS IDENTIFICATION

B1 (BOX 1)

A	HEADBOARD PANEL		1PC
B	HEADBOARD TOP DECORATION		1PC
C	HEADBOARD SUPPORT		2PCS
D	LEFT HEADBOARD LEG		1PC
E	RIGHT HEADBOARD LEG		1PC
F	EAR PANEL SUPPORT		2PCS
G	HEADBOARD SUPPORT PANEL		1 PC

B2 (BOX 2)

H	FOOTBOARD PANEL		1PC
---	-----------------	--	-----

B3 (BOX 3)

I	BED SLAT		5PCS
J	BED SLAT SUPPORT		10PCS
K	LEFT BED RAIL		1PC
L	RIGHT BED RAIL		1PC
M	FOOTBOARD LEG		2PCS

NOTE:

Phillips head screw driver is required in the assembly process; however, manufacturer does not provide this item.

ITEM: 223521KW(B1-B3)



ASSEMBLY INSTRUCTIONS

ASSEMBLY TIPS :

1. Remove hardware from box and sort by size.
2. Please check to see that all hardware and parts are present prior to start of assembly.
3. Please follow attached instructions in the same sequence as numbered to assure fast & easy assembly.















WARNING !

1. Don't attempt to repair or modify parts that are broken or defective. Please contact the store immediately.
2. This product is for home use only and not intended for commercial establishments.

HARDWARE IDENTIFICATION

Z-B3 (BOX 3) - HARDWARE PACK IS LOCATED IN 223521KW(B3)

1	ALLEN WRENCH (Φ6 - BLK)		1PC
2	SHORT BOLT (Φ6 X 30mm - RBW)		4PCS
3	MEDIUM BOLT (Φ6 X 45mm - RBW)		20PCS
4	LONG BOLT (Φ6 X 60mm - RBW)		6PCS
5	SHORT FLAT HEAD SCREW (Φ4 X 16mm - RBW)		4PCS
6	MEDIUM FLAT HEAD SCREW (Φ4 X 32mm - RBW)		10PCS
7	LONG FLAT HEAD SCREW (Φ4 X 45mm - RBW)		4PCS
8	LOCK WASHER (Φ6 - RBW)		20PCS
9	SMALL FLAT WASHER (Φ7 X 19mm X 2.0 - RBW)		20PCS
10	BIG FLAT WASHER (3/8 x 25 x 1.0 - RBW)		14PCS
11	LEVELER (M6 x 23mm - RBW)		10PCS
12	WOOL DOWEL (M8 X 45MM)		4PCS

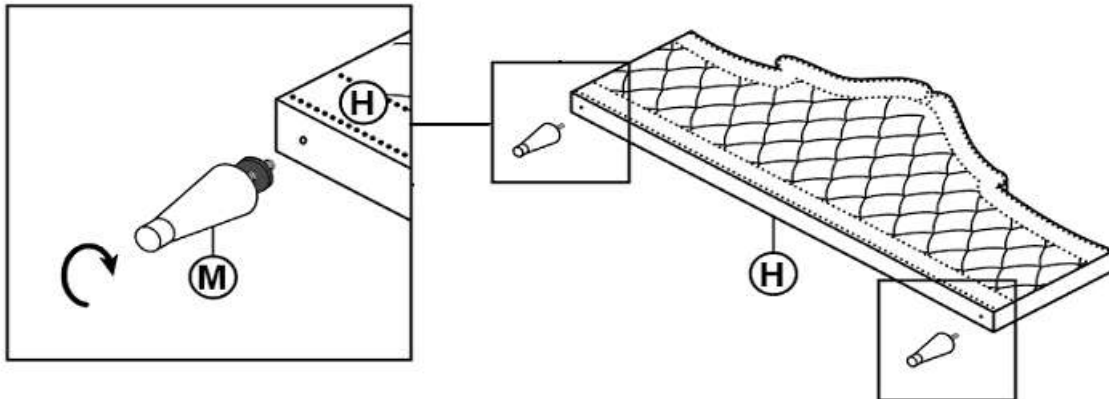
NOTE:

Phillips head screw driver is required in the assembly process; however, manufacturer does not provide this item.

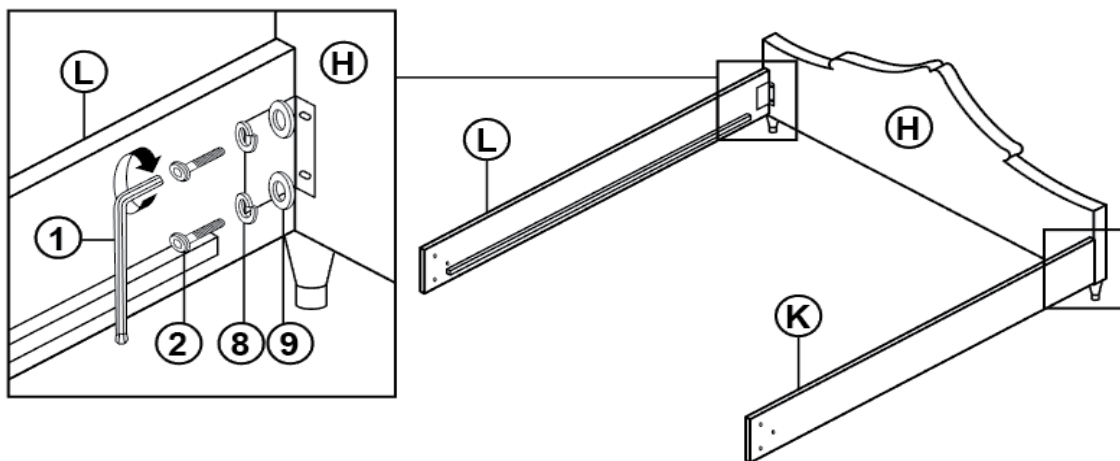
ITEM: 223521KW(B1-B3)

ASSEMBLY INSTRUCTIONS

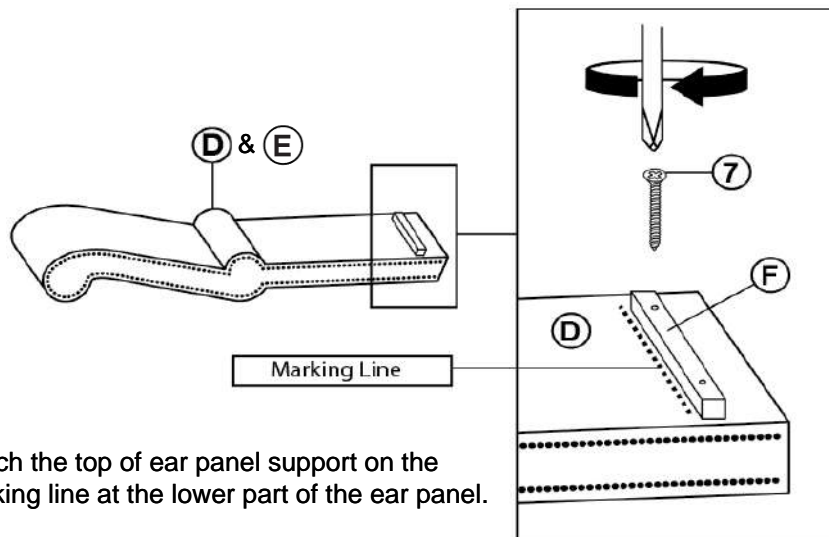
STEP 1



STEP 2



STEP 3



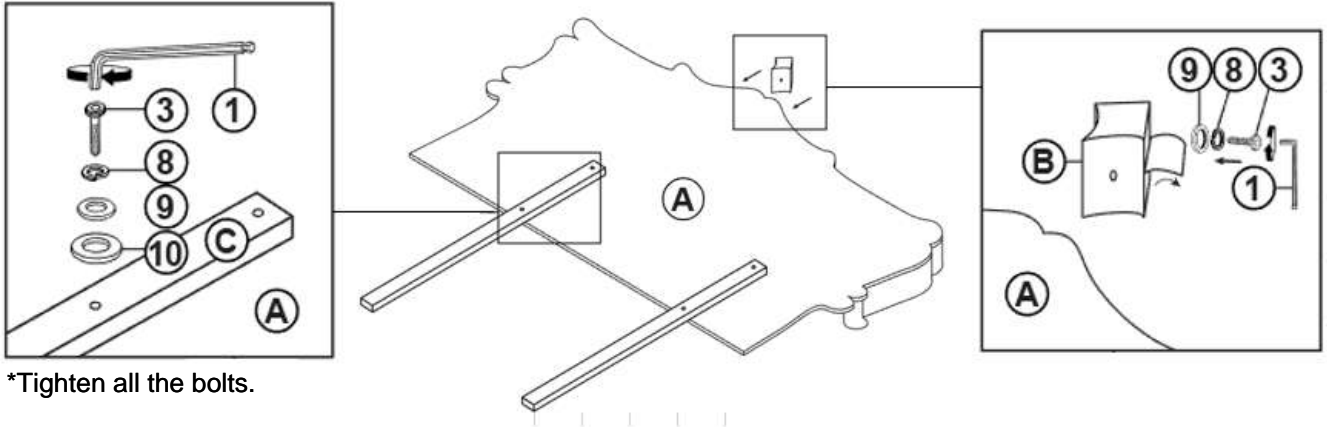
*Attach the top of ear panel support on the marking line at the lower part of the ear panel.

ITEM: 223521KW(B1-B3)



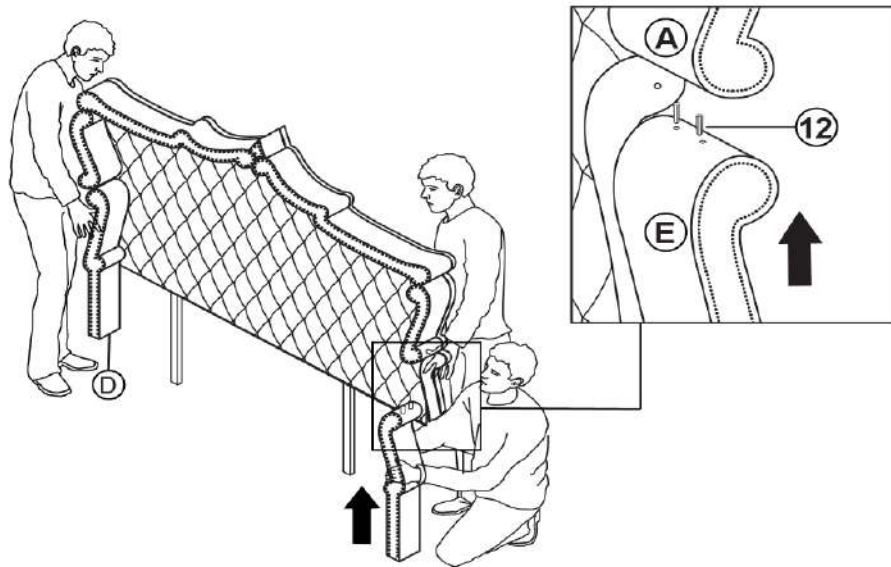
ASSEMBLY INSTRUCTIONS

STEP 4

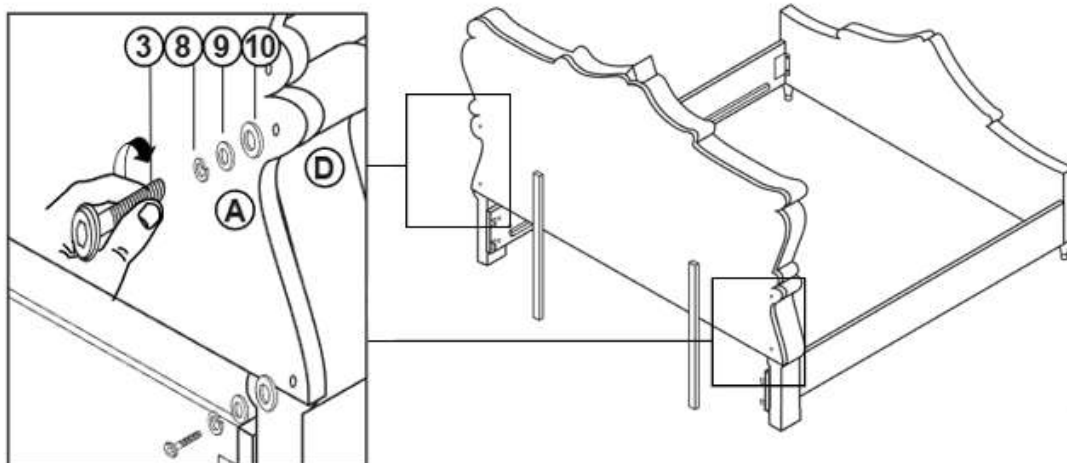


*Tighten all the bolts.

STEP 5



STEP 6

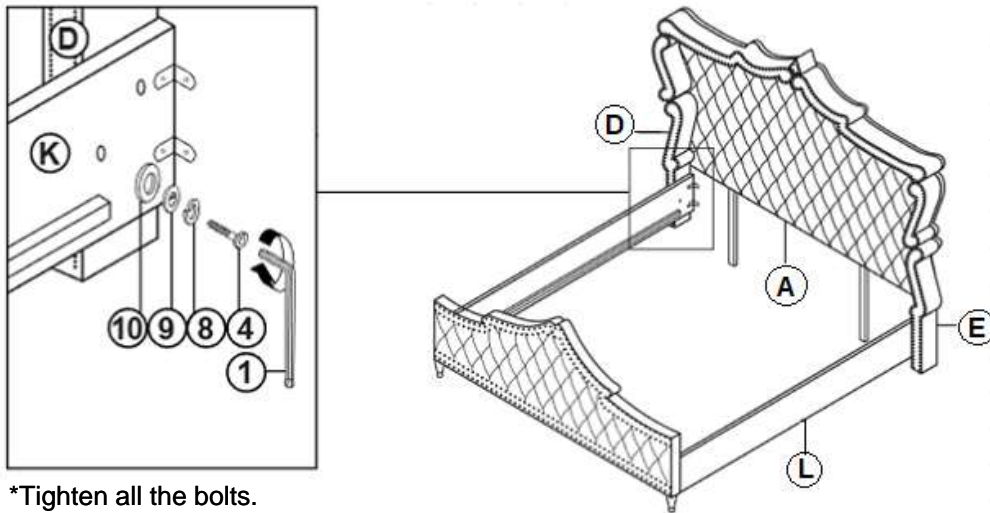


*Hand tight, do not tighten all the bolts.

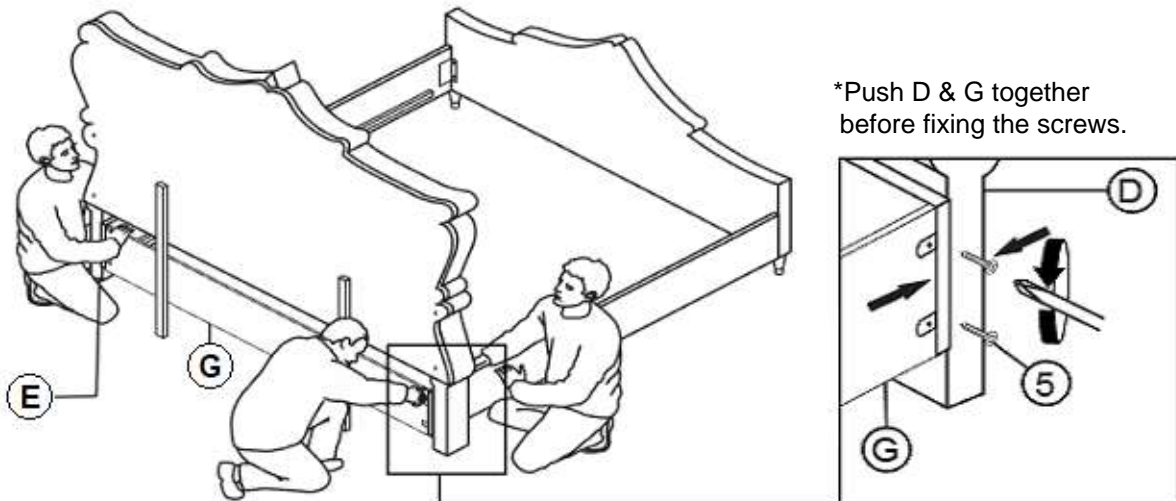
ITEM: 223521KW(B1-B3)

ASSEMBLY INSTRUCTIONS

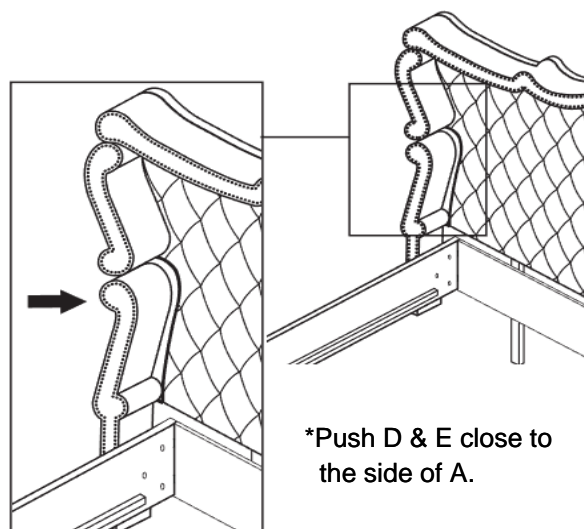
STEP 7



STEP 8



STEP 9



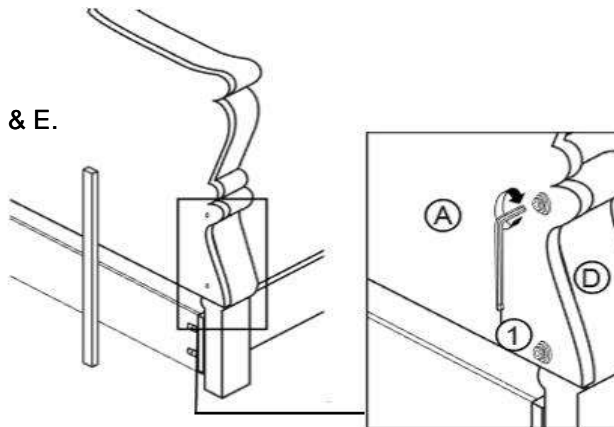
ITEM: 223521KW(B1-B3)



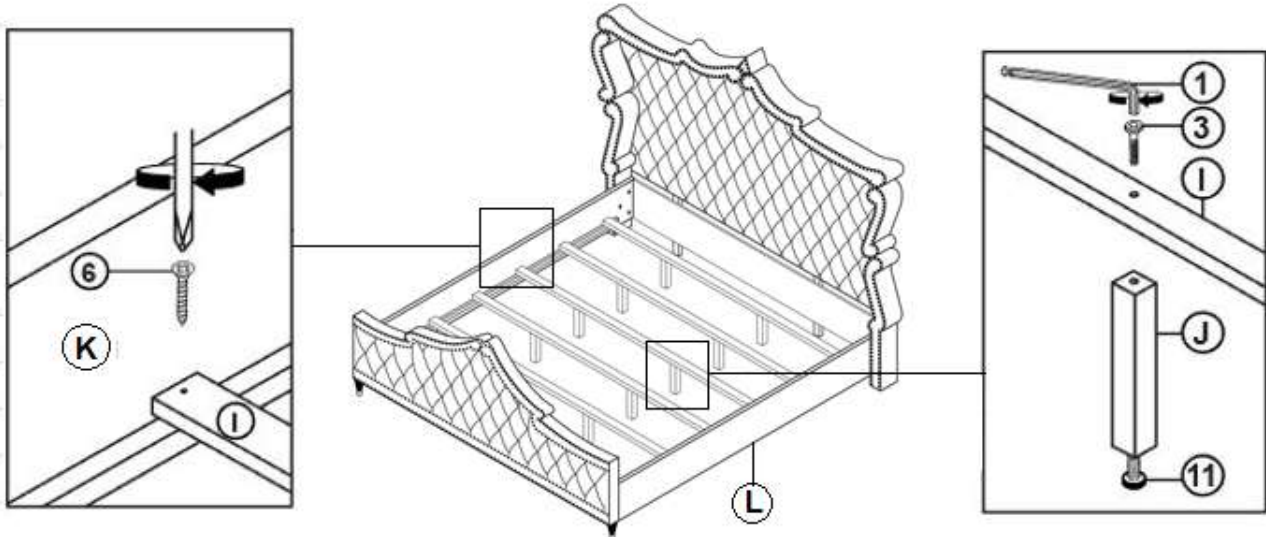
ASSEMBLY INSTRUCTIONS

STEP 10

* Tighten the bolts at D & E.



STEP 11



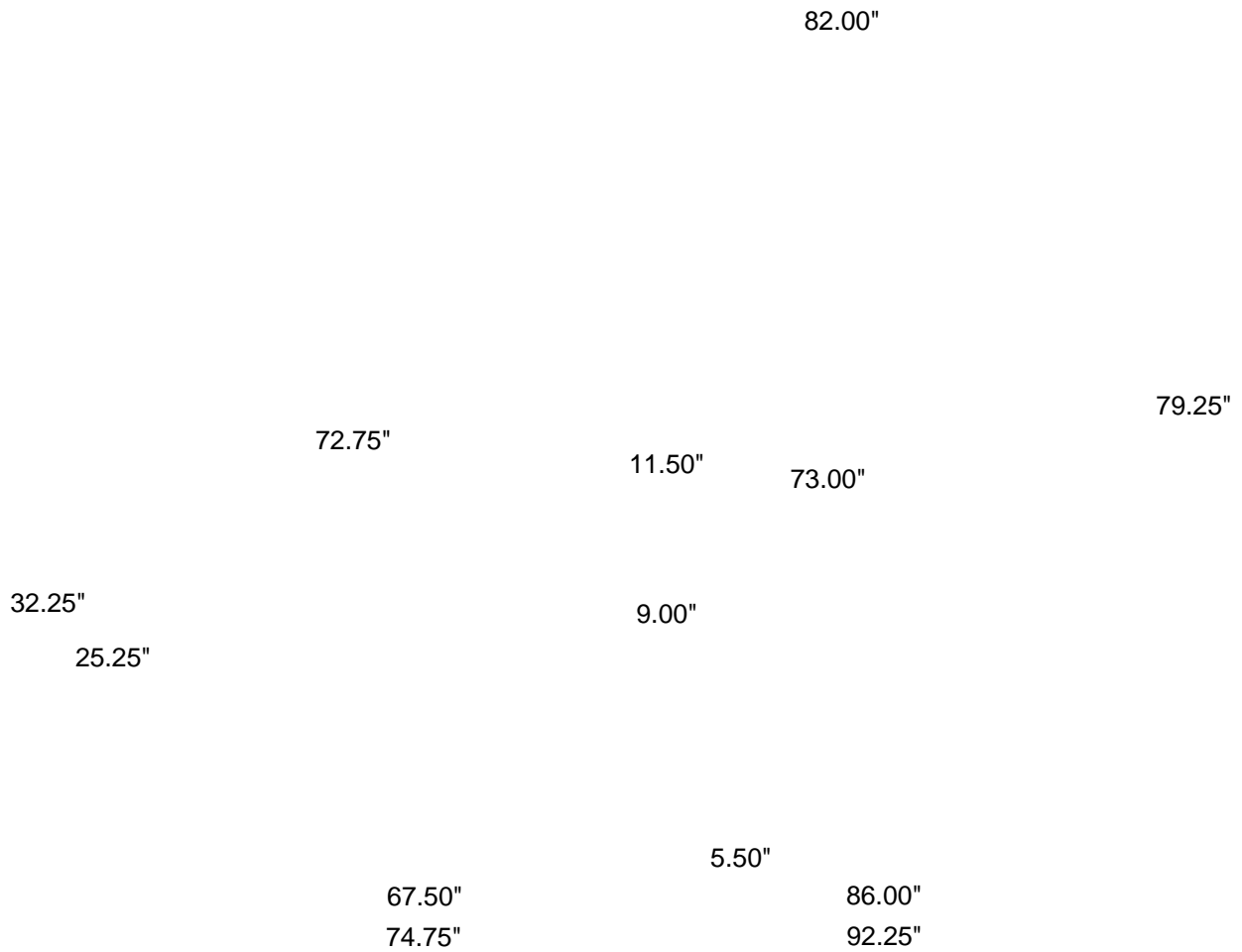
STEP 12 **COMPLETE**



ITEM: 223521KW(B1-B3)



Inner Size : 73"W x 86.00"D



Note: Dimension tolerance $\pm 5\%$