



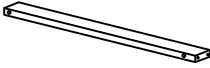
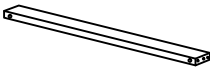
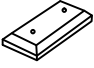
ASSEMBLY INSTRUCTIONS

ITEM: WF3030659AAK/WF308659AAD

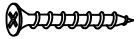





Important note:

1. Place all wooden parts on a clean and smooth surface such as a rug or carpet to avoid scratching the parts.
2. Kindly follow the assembly instructions step by step.
3. Do not tighten all screws and bolts until the table is fully assembled.

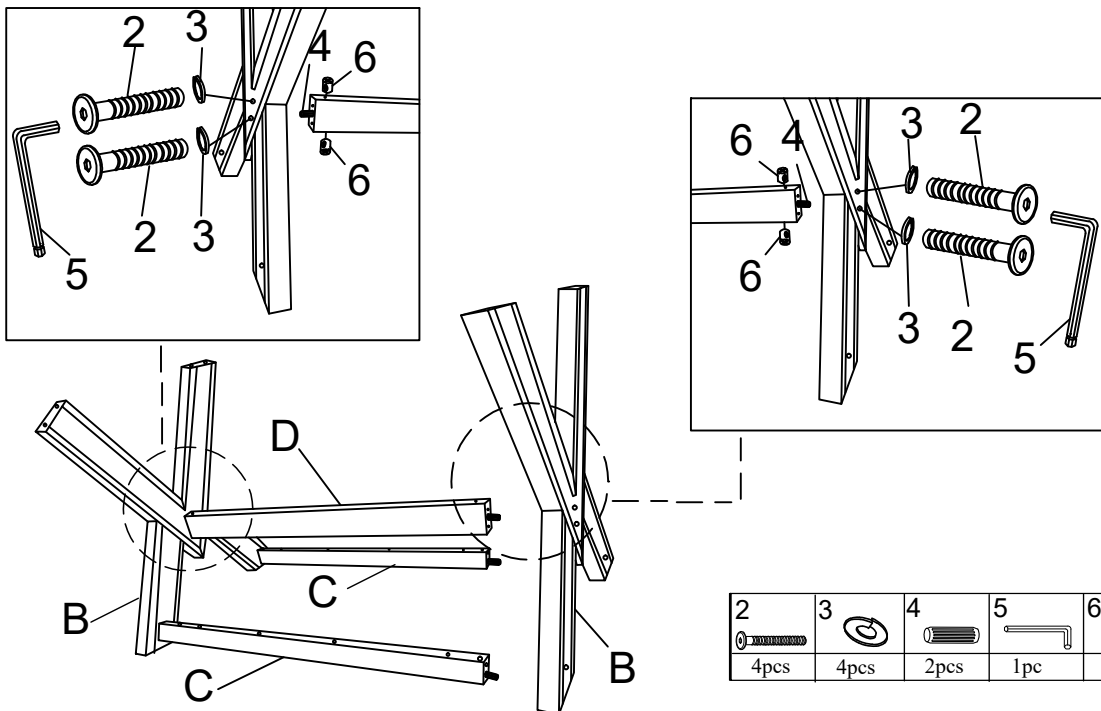
PARTS LIST

A Table Top	B Leg	C Support	D Cross bar	E Bottom Leg
				
1pc	2pc	2pc	1pc	4pc

HARDWARE LIST

1 CSK SCREW M4 x 32MM	2 JCBC Bolt M6 x 60mm	3 Spring Washer	4 Wood Dowel	5 Allen Key	6 Barrel Nut
					
16pcs	8pcs	8pcs	14pcs	1pc	8pcs

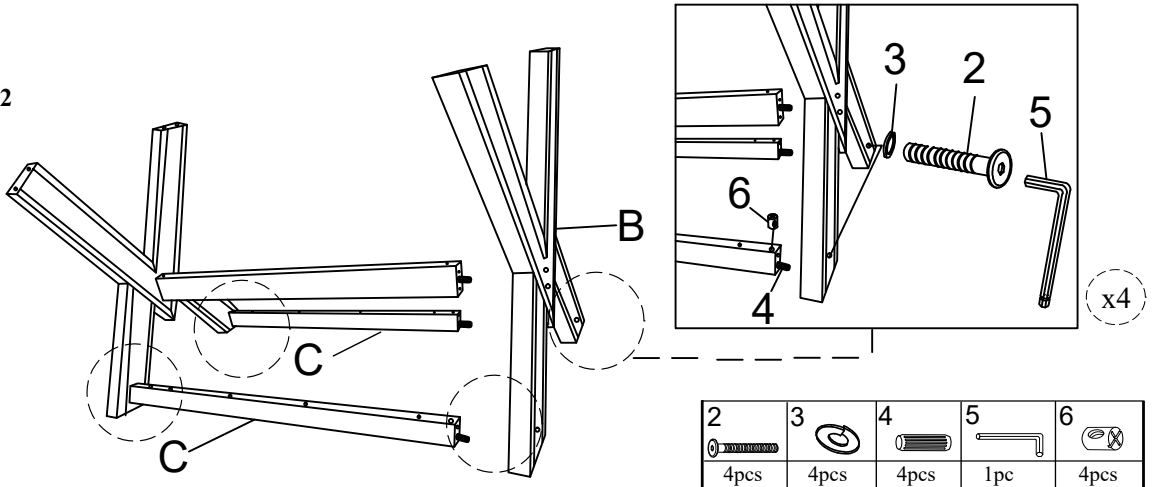
STEP 1



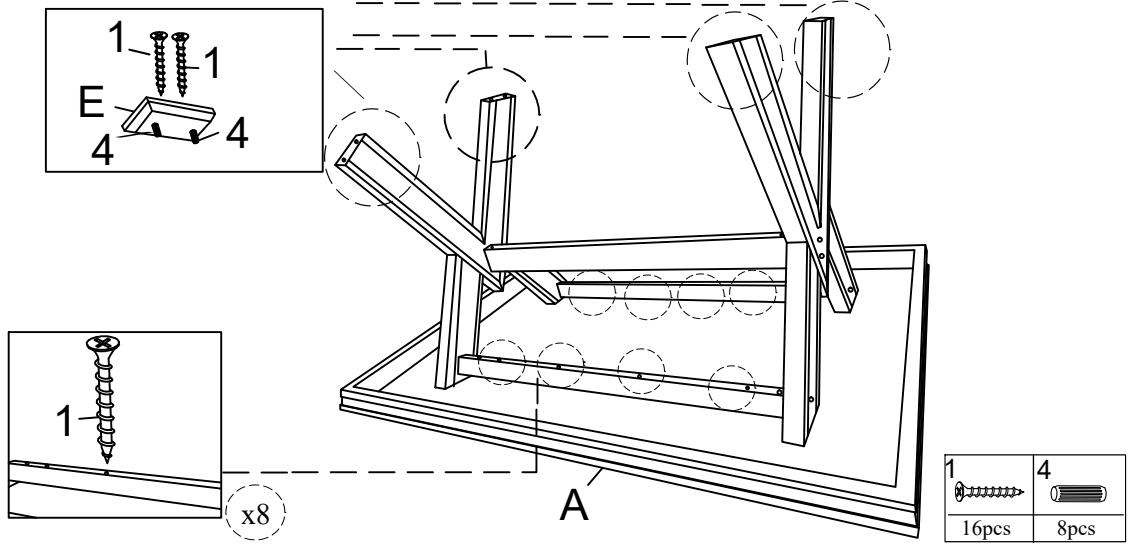
ASSEMBLY INSTRUCTIONS

ITEM: WF3030659AAK/WF308659AAD

STEP 2



STEP 3



COMPLETE

