

Care and Maintenance

Dust with a soft, dry cloth. Do not use abrasive cleaner. To clean mirror, spray a small amount of glass cleaner onto a lint-free cloth and wipe mirror clean.

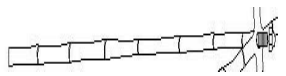


NOTICE

* Please make sure that you have all parts indicated before you begin assembly of this item

* This item should be assembled on a soft surface to prevent scratching the finish during assembly

* This item may require periodic tightening

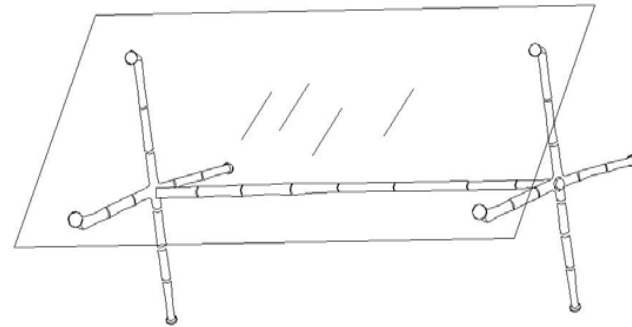
Part List and Hardware List

Piece	Description	Picture	Quantity
A	Middle Connector		1 X
B	Leg		2 X
C	Glass Top		1 X

 **SAFAVIEH**
FURNITURE

Model # FOX2527

Product Dimensions: 37.4"W X 19.7"D X 17"H



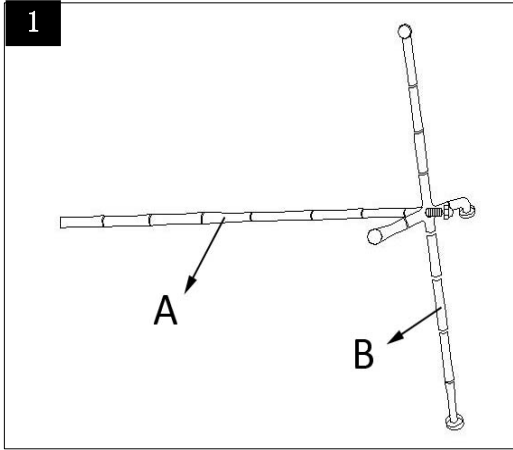
Preparation

Before beginning assembly of product, make sure all parts are present. Compare parts with package contents list and hardware contents list.

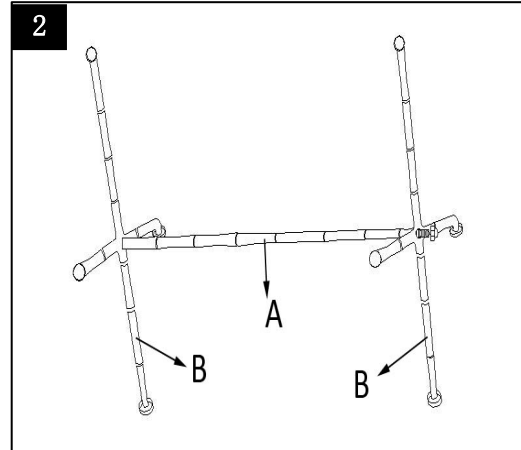
If any part is missing or damaged, do not attempt to assemble the product.

Estimated Assembly Time: 10 minutes.

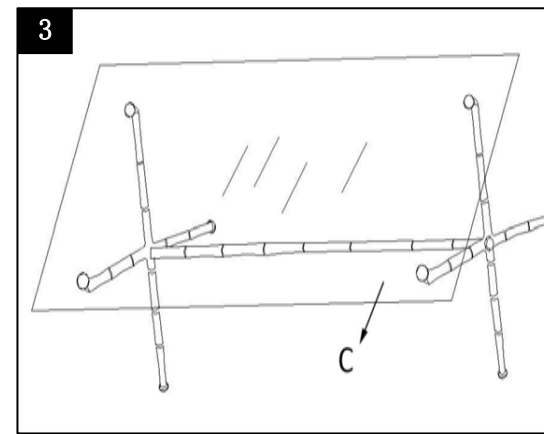
Tools Required for Assembly (included): Assembly Fininal



Step 1
Assemble the Middle Connector (A) to one Leg (B) as shown in the picture.



Step 2
Assemble another Leg (B) to the Middle Connector (A) as shown in the picture.



Step 3
Carefully place the Glass Top (C) as shown in the picture.