

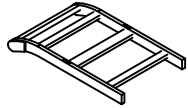
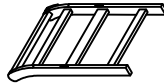

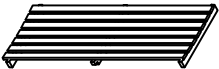
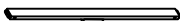

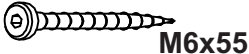
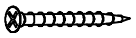


CARE AND MAINTENANCE

Store outdoor furniture indoors or cover well when it is not in use.
Dust regularly with small brush or vacuum. Spills should be taken care of immediately before they harden or stain with a slightly dampened sponge.

NOTICE

Please make sure that you have all parts indicated before you begin assembly of this item.

Part List and Hardware List

PIECE	DESCRIPTION	PICTURE	QUANTITY
A	Left side		1X
B	Right side		1 X
C	Back		1 X
D	Seat		1 X
E	Support bar		1 X
F1	Allen bolt	 M6x90	4 X
F2	Allen screw	 M6x55	2 X
F3	Screw	 M4x35	2 X
F4	Bolt extra	 M6x50	1 X
F5	Allen key		1 X

SAFAVIEH

OUTDOOR LIVING

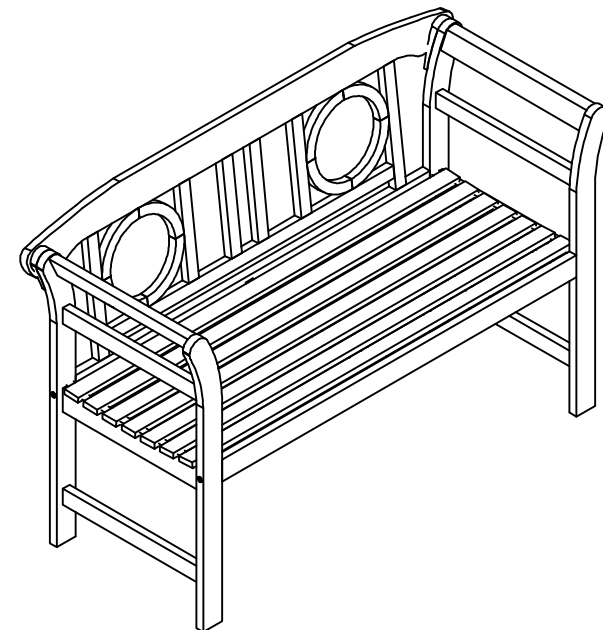
MODEL # PAT6743

Product Dimension: 19.69"Wx49.21"Dx31.1"H

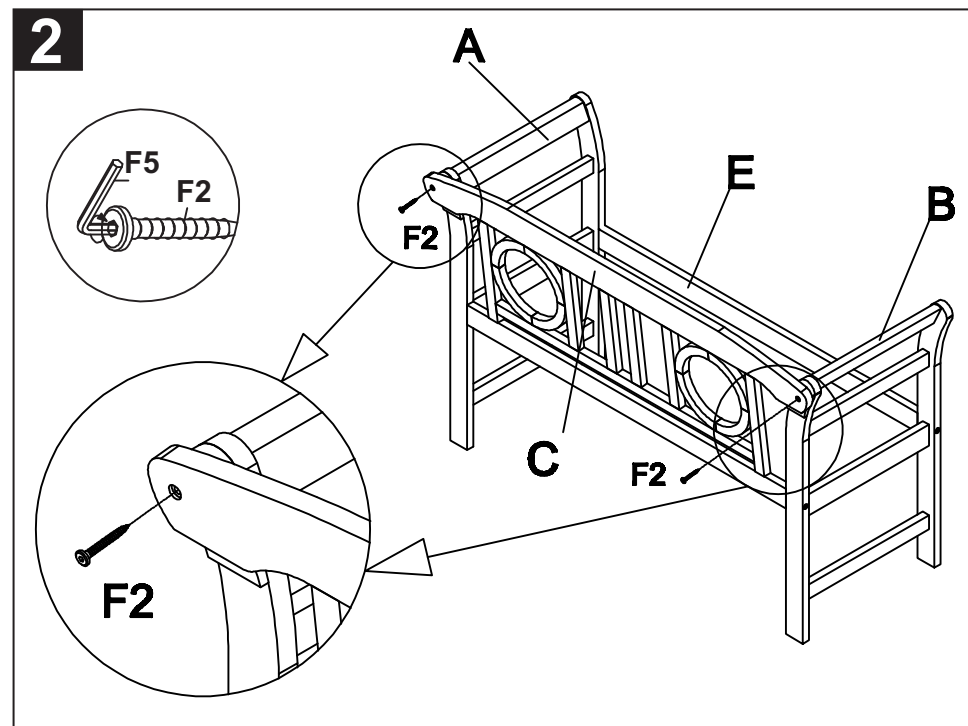
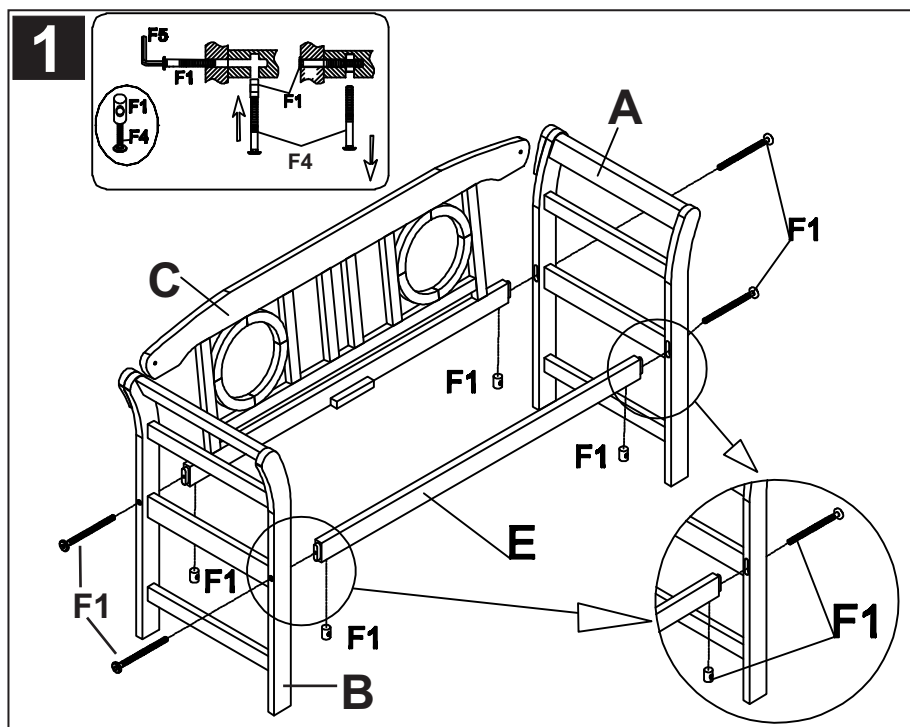
Weight capacity : 600 lbs.

Warning : Do not stand on the bench

Warning : Do not torque bolts / screws

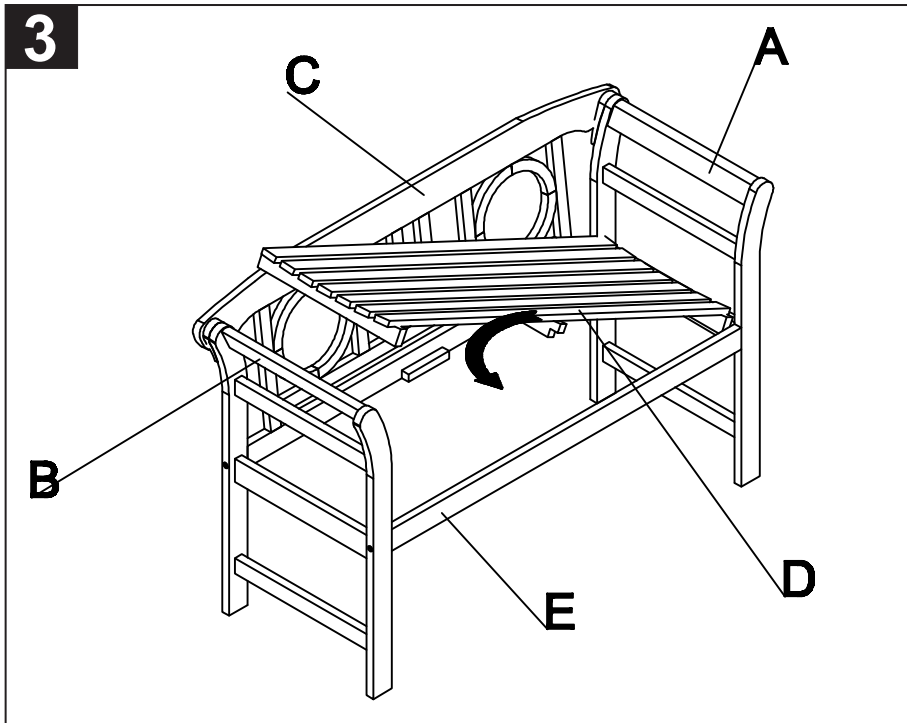


Before beginning the assembly of the product, make sure all parts are present. Compare the parts with package contents list and hardware contents list. If any parts are missing or damaged, do not attempt to assemble the product. Tool required for assembly (included): Allen key.

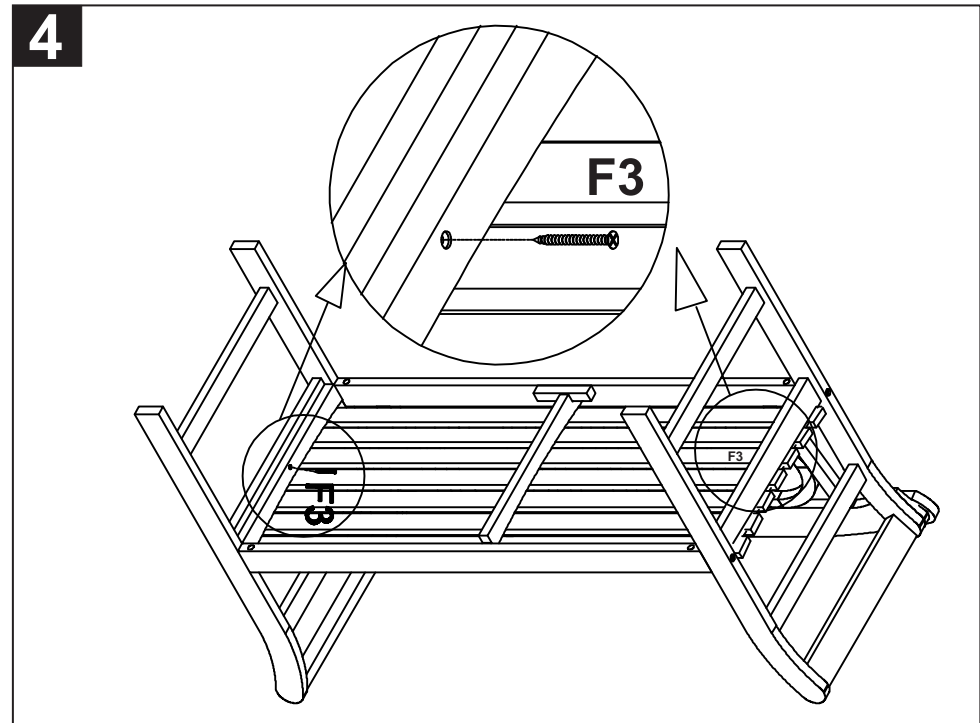


Step 1: attach the left side (A) and the right side (B) to the back (C) and the Support bar (E) as shown on the picture by using the Allen bolts (F1). Tighten all with the Allen key (F5).

Step 2: use the Allen screw (F2) to fit the back (C) to the side parts (A) and (B) as shown on the picture by using the Allen key (F5).



Step 3: put the seat (D) inside the bench as shown on the picture.



Step 4: use the screw (F3) to fit the seat (D) as shown on the picture and tighten all with a screwdriver.