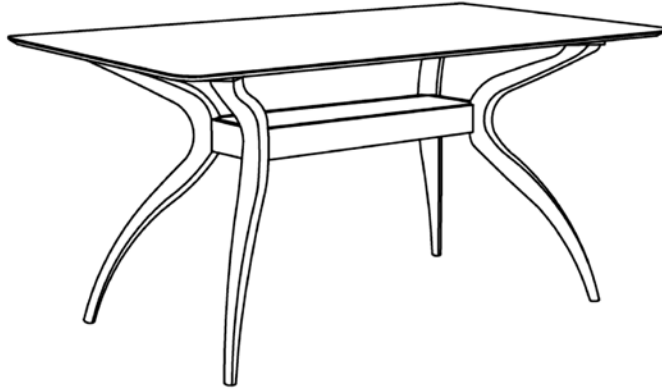


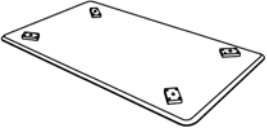

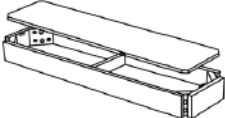
Assembly Instructions

Caution : You must read this before you proceed





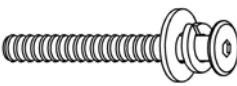

DINING TABLE



Part List

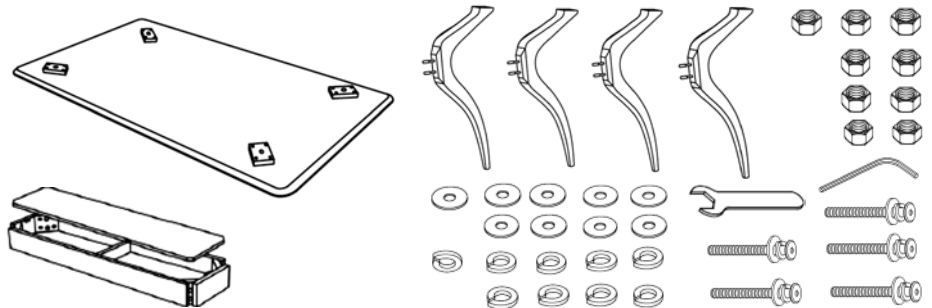
Label	Picture	Description	QTY
A		Table Top	1
B		Table Leg	4
C		Table Leg Supporter	1






Hardware

Label	Picture	Description	QTY
①		HEX NUT 5/16"	9
②		SPRING WASHER 5/16"	9
③		FLAT WASHER 5/16"	9
④		SPANNER 12.8	1
⑤		JCBB M8 x 50mm + S/W 5/16" + F/W 5/16" x 22mm	5
⑥		ALLEN KEY M4	1

Assembly Preparation

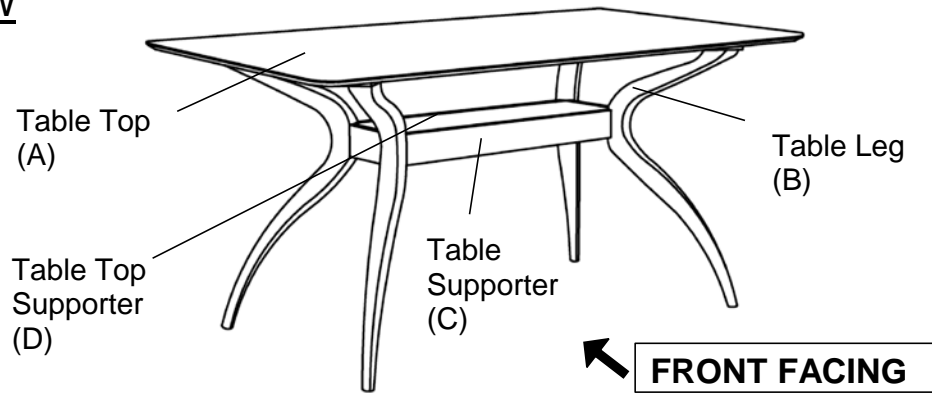
Before Beginning Assembly:



-  • Read instructions, cover to cover-
-  • Have 2 adults on hand for assembly-
-  • Do not assemble on flooring or carpet-
-  • Assemble on a clean non-marring surface (packing foam)-
-  • Save all packaging until finished-

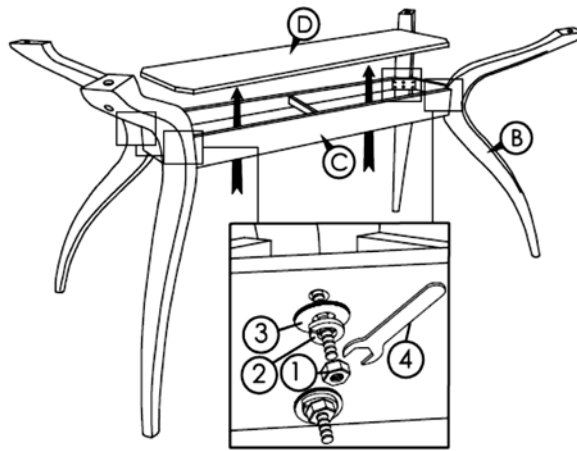
Assembly Steps

Overview



This Table has multiple parts and may require up to some 30 minutes to assemble. To give you an overview of the Table parts, the above picture is to help you put the various parts into perspective. Please read through the instructions below to familiarise yourself with the parts and steps before assembly.

Step 1



Before assembly, please take out the Table Top supporter (D) as arrow shown. Place the Table Leg (B) into the table supporter corner block. Fix the hanger bolt with Hex Nut ①, Spring Washer ② and Flat Washer ③ using Spanner ④.

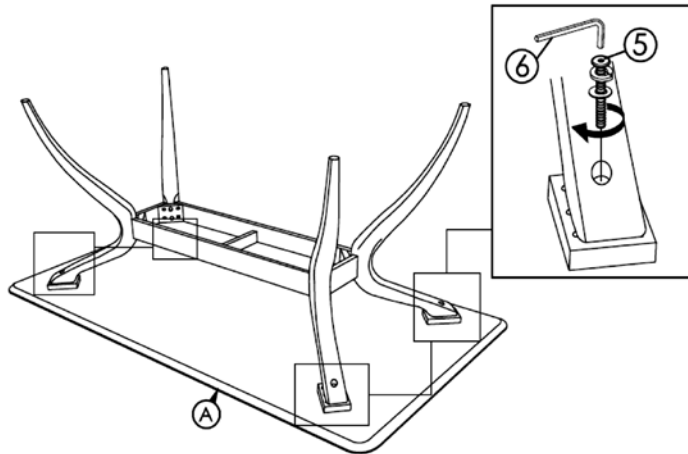
Two adults are required whenever lifting and moving it.

Repeat the step for another 3 leg.

DO NOT FULLY TIGHTEN SCREWS.

Assembly Steps

Step 2



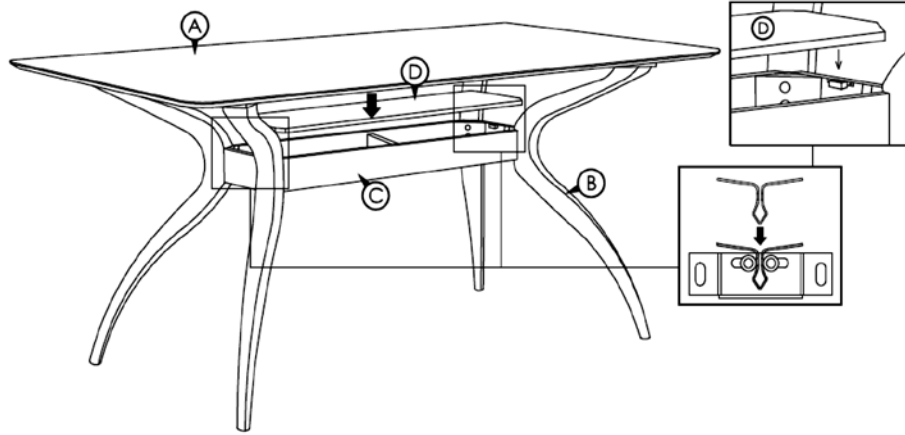
Place the Table top (A) on a soft surface to avoid any scratches or damages to the product and place the Table Leg with the table supporter onto the of table top support with your adult partner.

Fix the Table Top (A) with JCB Bolt ⑤ + Spring Washer + Flat Washer using Allen Key ⑥.

Repeat the step for another 3 leg.

FULLY TIGHTEN THE BOLT.

Step 3



With assistance from your adult partner, stand the Table up.
Inspect and make sure all parts are connected, locked and fully secured into position.
Place the Top Table Supporter (D) onto the Double Roller Catch as shown.
Your Table is now ready for use.

Care & Maintenance



- Furniture may scratch floors. We recommend using furniture pads to protect your floors.



- Do not put hot items directly on furniture surface.



- Do not clean furniture with harsh cleansers or polish.



- Do not place furniture under direct sunlight.



- Do not place furniture near heating or cooling vents.



- Do not write on furniture without a padded barrier to protect the surface.



- Do not place furniture outside . For indoor use only.



- Not for commercial use. For residential use only.



- Stains may be removed with mild soap solution and



Stains may be removed with mild soap solution and damp cloth.



● Children should not climb or jump on the furniture.



● Dust and pick-up spills using a clean, non-colored, lint-free cloth.