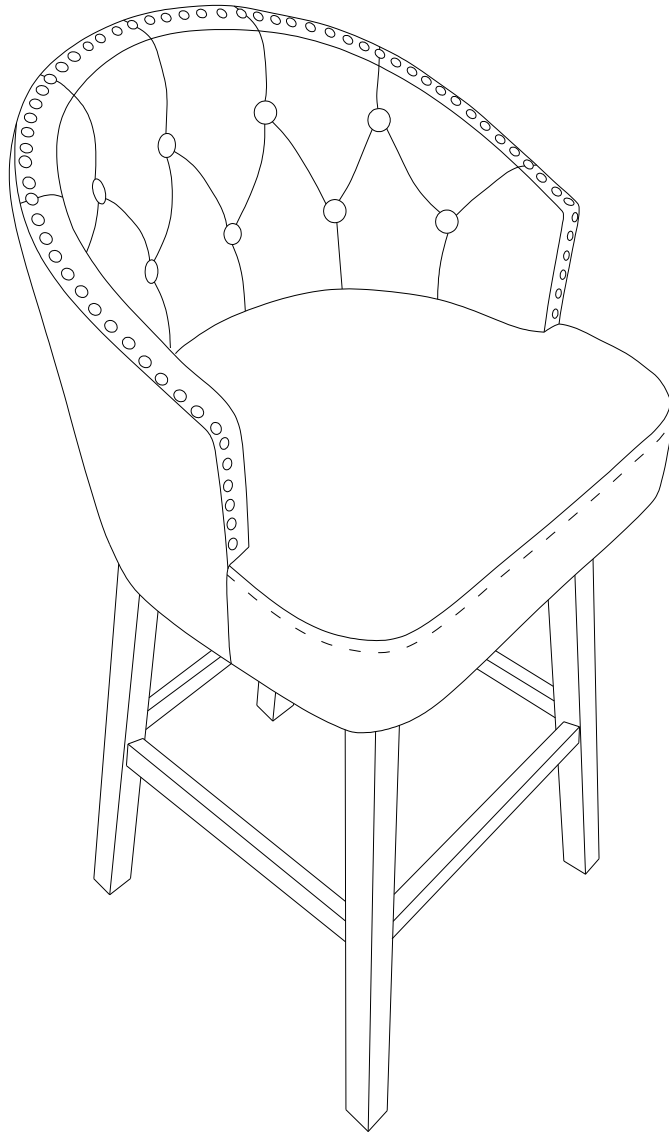


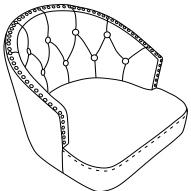
Assembly Instructions


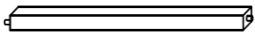
Caution: You must read this before you proceed.

Bar Chair









Parts List

Part NO.	Picture	Description	QTY
A		Chair Back	1

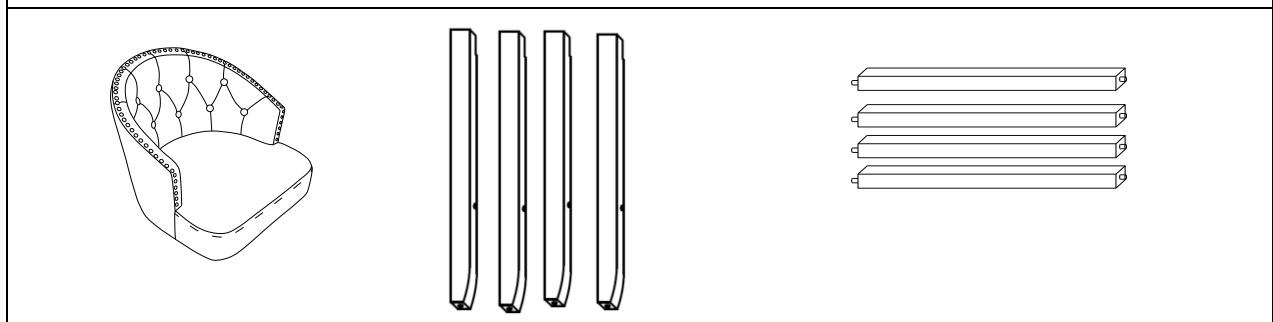
B		Chair Leg	4
C		Side Rail	4

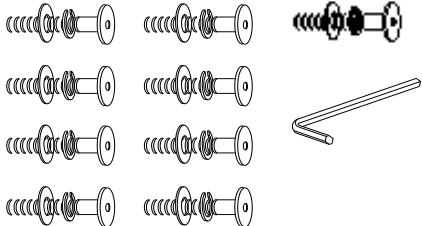
Hardware

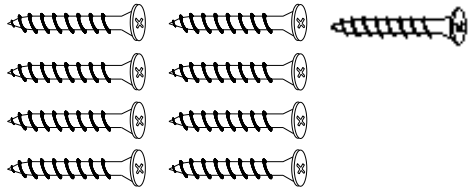
Label	Picture	Description	QTY
①		Bolt (M8x50mm)	9
②		Screw (M4x40mm)	9
③		Spring Washer	9
④		Washer	9
⑤		Allen Key	1
⑥		Screwdriver	1






Assembly Preparation

Before Beginning Assembly:

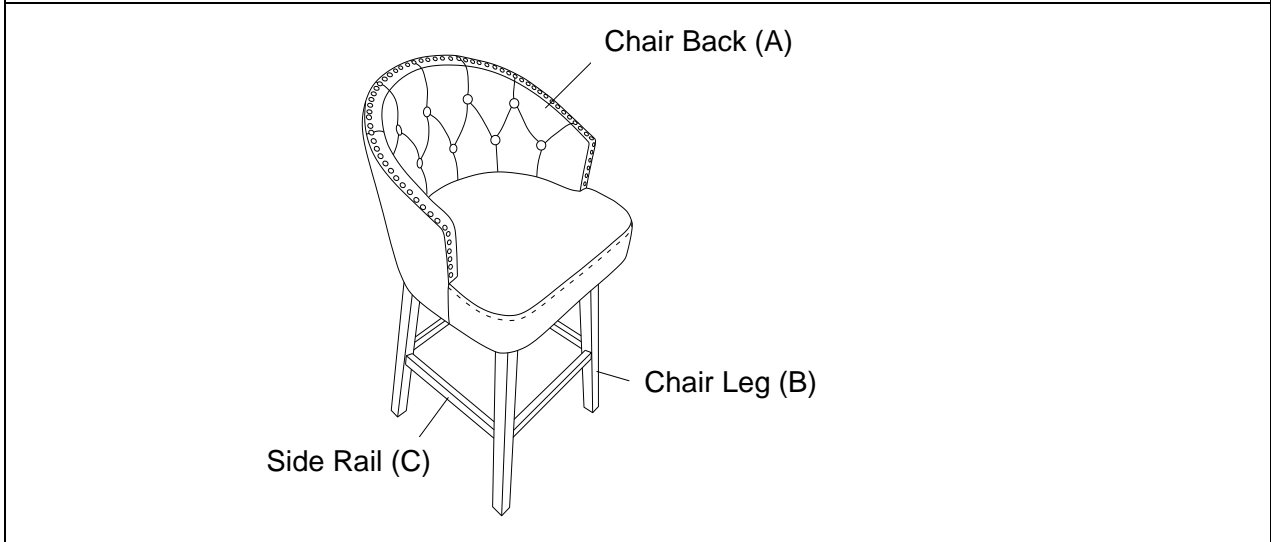


For assembling Chair Legs(B) to the Chair Back(A)	Bolt (M8x50mm) Washer Spring Washer Allen Key	
---------------------------------------------------	--------------------------------------------------------	--------------------------------------------------------------------------------------

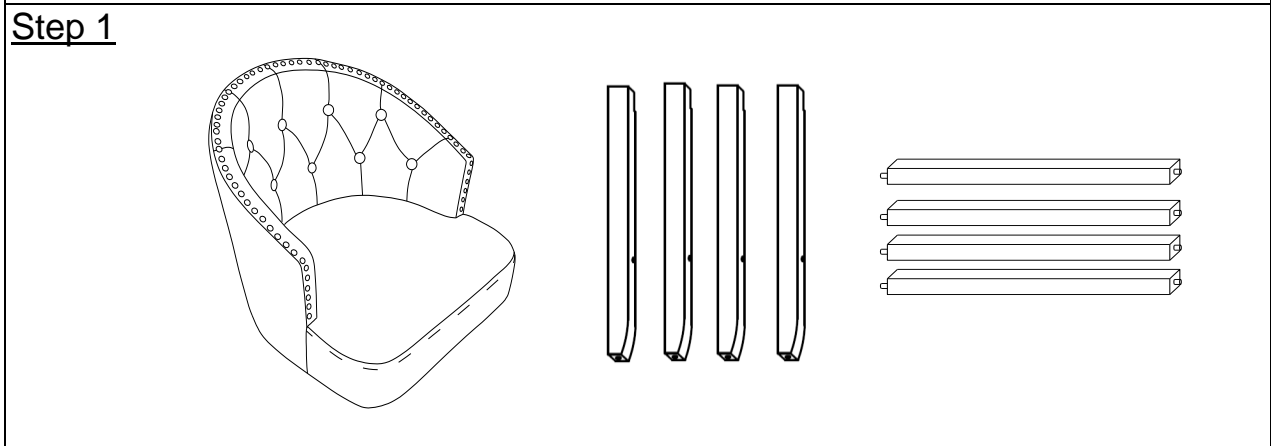
<p>For assembling Side Rails(C) to Chair Legs(B)</p>	<p>Screw (M4x40mm)</p>	
--------------------------------------------------------------	------------------------	------------------------------------------------------------------------------------

-  • Read instructions, cover to cover-
-  • Have 2 adults on hand for assembly-
-  • Do not assemble on flooring or carpet-
-  • Assemble on a clean non-marring surface (packing foam)-
-  • Save all packaging until finished-

Assembly Steps

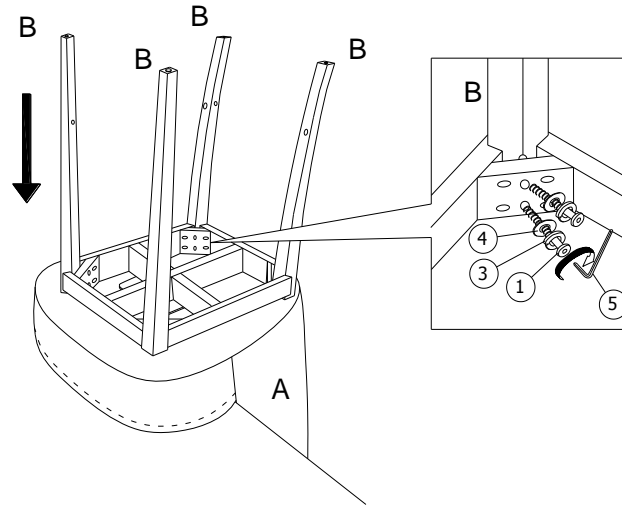


This Bar Chair has multiple parts and may require up to 30 minutes to assemble. To give you an overview of the Bar Chair parts, the above picture is to help you put the various Bar Chair parts into perspective. Please read through the instructions below to familiarise yourself with the parts and steps before assembly.



Unpack and Place the Chair Back(A), Chair Legs(B) and Side Rails(C) on a clean, non-marring surface.

Step 2

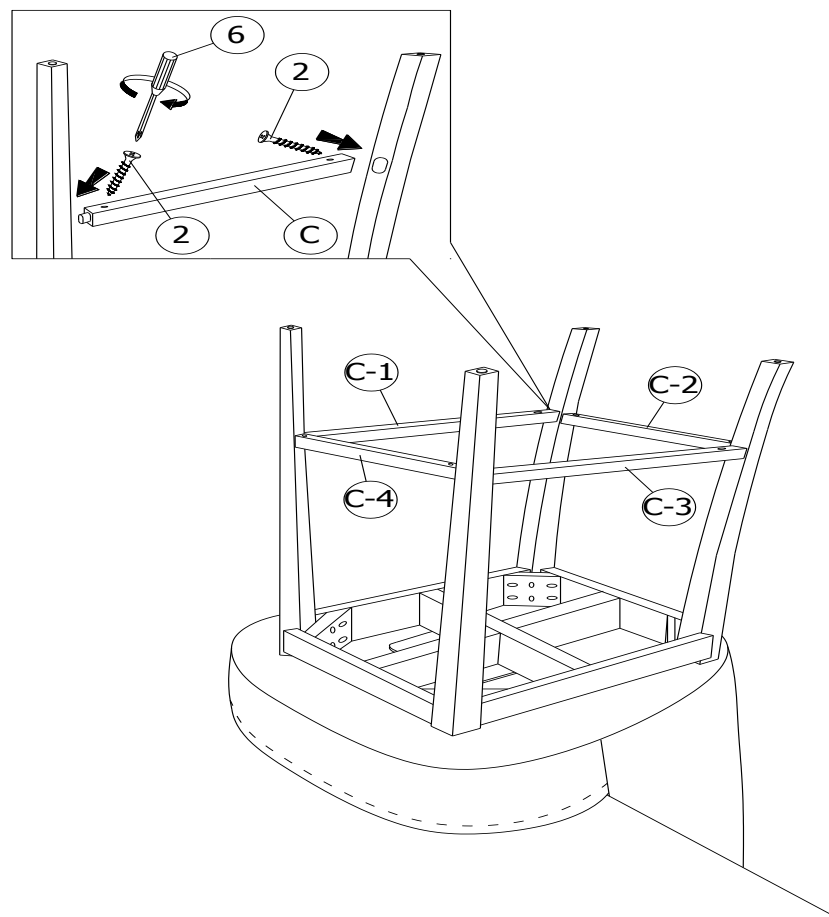


Place the Chair Back(A) onto the side of a table as shown in the picture.

Insert the Chair Legs(B) into the base of Chair Back(A).

Attach Chair Legs(B) to Chair Back(A) using Bolts(1), Spring Washers(3), and Washers(4) with Allen Key(5)
Do not fully tighten Bolts.

Step 3



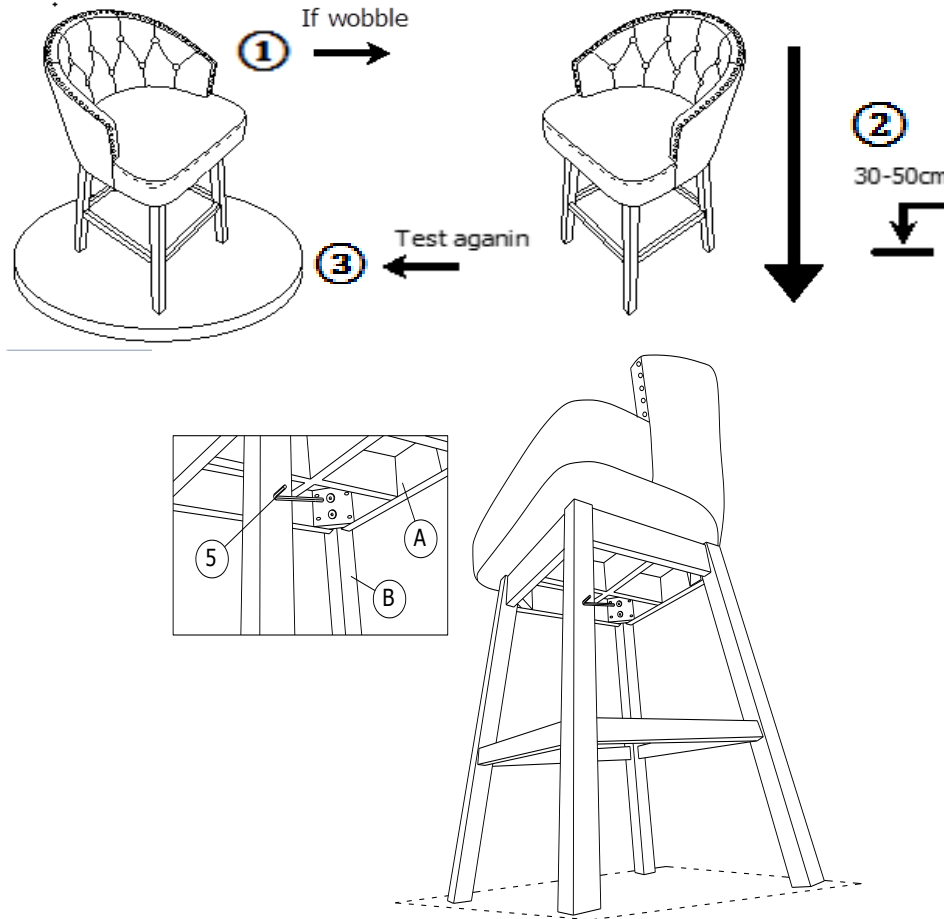
Insert Side Rails(C) between Chair Legs(B) in the sequence: (C-1), (C-2), (C-3), (C-4), as shown above.

Note: You may need to apply a little pressure to the Chair Legs to enable the Side Rails to be slotted into position.

Attach Side Rails(C) to Chair Legs(B) using Screws(2) with Screwdriver(6).

Do not fully tighten the Screws.

Step 4



Place the Bar Chair on a **LEVEL SURFACE** to see if it wobbles.

If it wobbles, lift the Bar Chair to some 30cm to 50cm high from the ground.

Keep your feet and toes well away from the drop zone.

Drop the Bar Chair freely and vertically with the four legs, hitting the ground, at the same time.

This Drop Test will help to ensure that all the Bolts, Screws and gaps reach full alignment status.

Test again for evenness on a **LEVEL SURFACE**.

If no wobbles found, proceed to tighten all the Bolts and Screws.

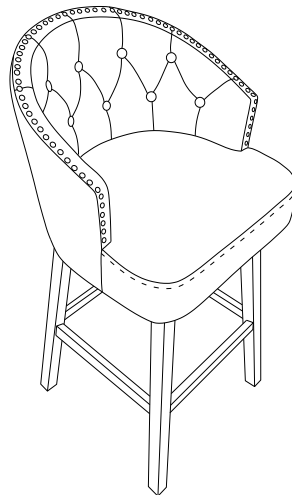
When tightening the Bolts and Screws, tighten sequentially.

DO NOT tighten any Bolt or Screw fully and then move on towards the next one.

This would cause the frame to warp.

If there are still wobbles, loosen the Bolts and Screws and execute this same drop test.











Step 5



Your Bar Chair is now ready for use.

This Bar Chair can only be used on a flat, level surface.

Care & Maintenance

-  Do not put hot items directly on furniture surface
 -  Do not clean furniture with harsh cleansers or polish.
 -  Do not place furniture under direct sunlight.
 -  Do not place furniture near heating or cooling vents.
 -  Do not write on furniture without a padded barrier to protect the surface.
 -  Do not place furniture outside . For indoor use only .
 -  Not for commercial use. For residential use only .
 -  Stains may be removed with mild soap solution and damp cloth.
 -  Children should not climb or jump on the furniture.
-
-  Dust and pick-up spills using a clean, non-colored, lint-free cloth .