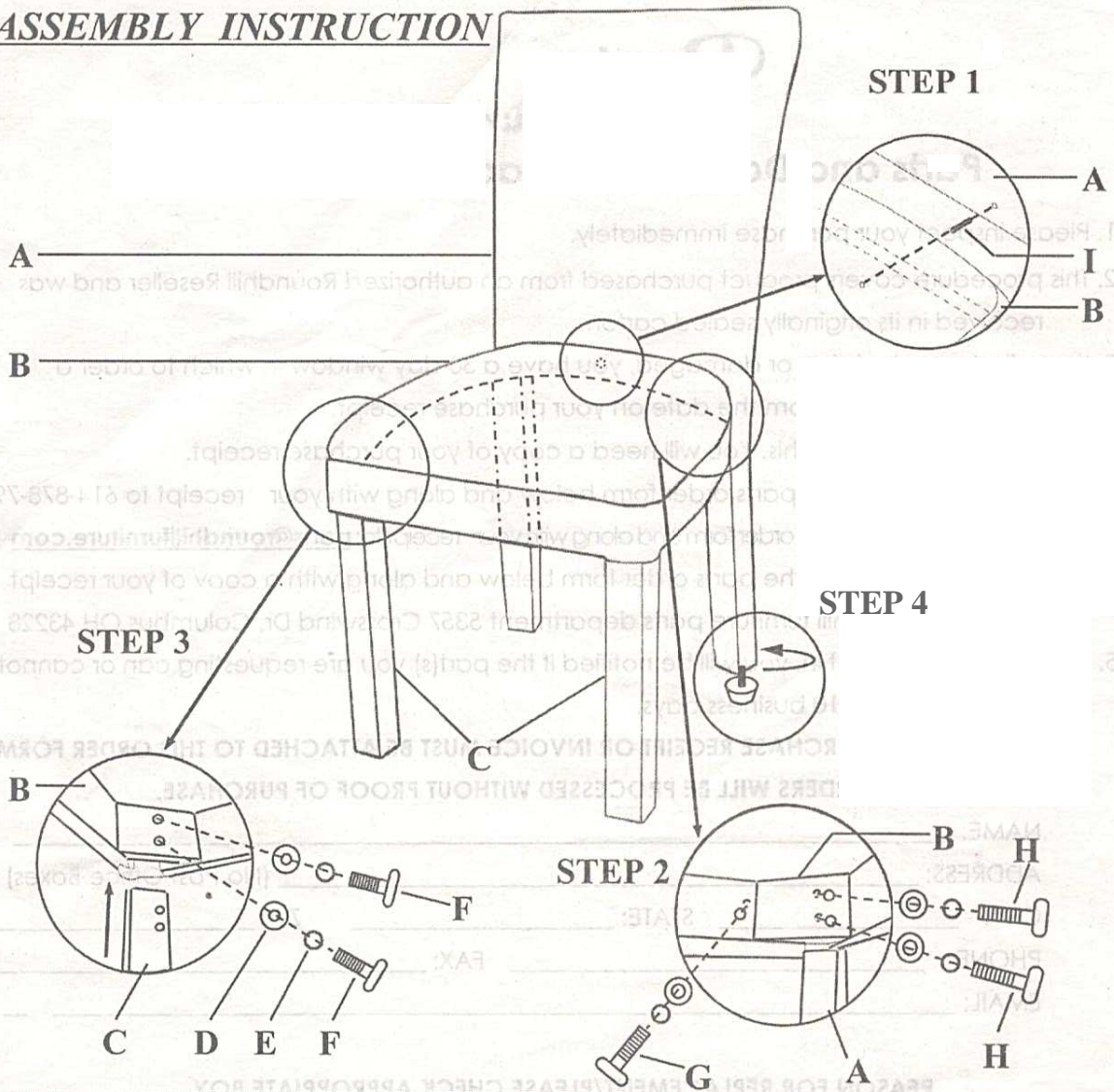


ASSEMBLY INSTRUCTION



A		1PC	E		10PCS	I		1PC
B		1PC	F		4PCS	J		1PC
C		2PCS	G		2PCS			
D		10PCS	H		4PCS			

ATTENTION:

WHEN YOU ASSEMBLE, PLEASE DO NOT TIGHTEN EACH SCREW UNTIL ALL SCREWS ARE LINED UP WITH THE FRAME. LAST, TURN THE PART (J) TO LET FOUR LEGS ON A FLAT(SEE STEP 4).